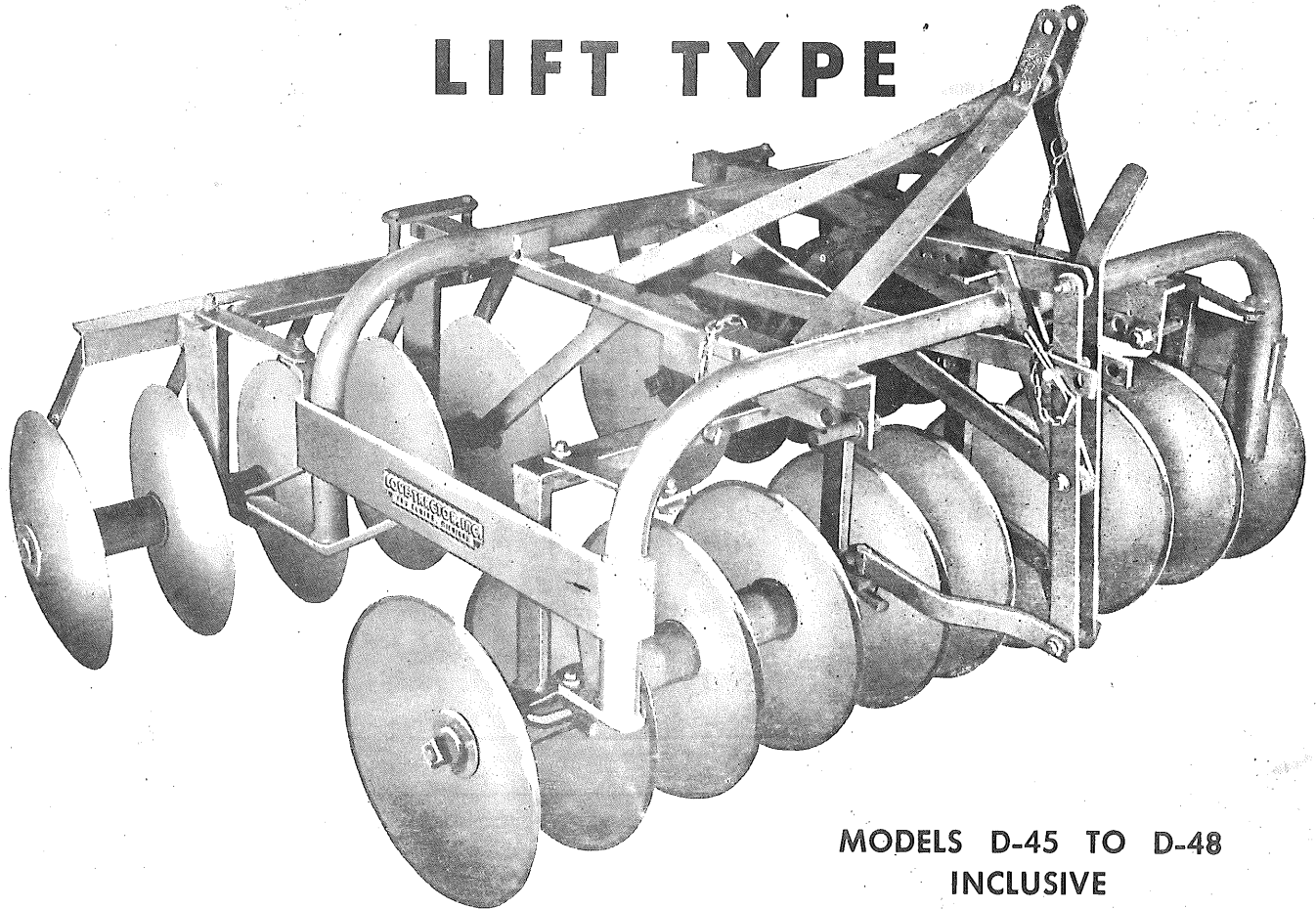


LOVE

TANDEM DISC HARROW

LIFT TYPE



MODELS D-45 TO D-48
INCLUSIVE

PARTS LIST

AUGUST, 1948

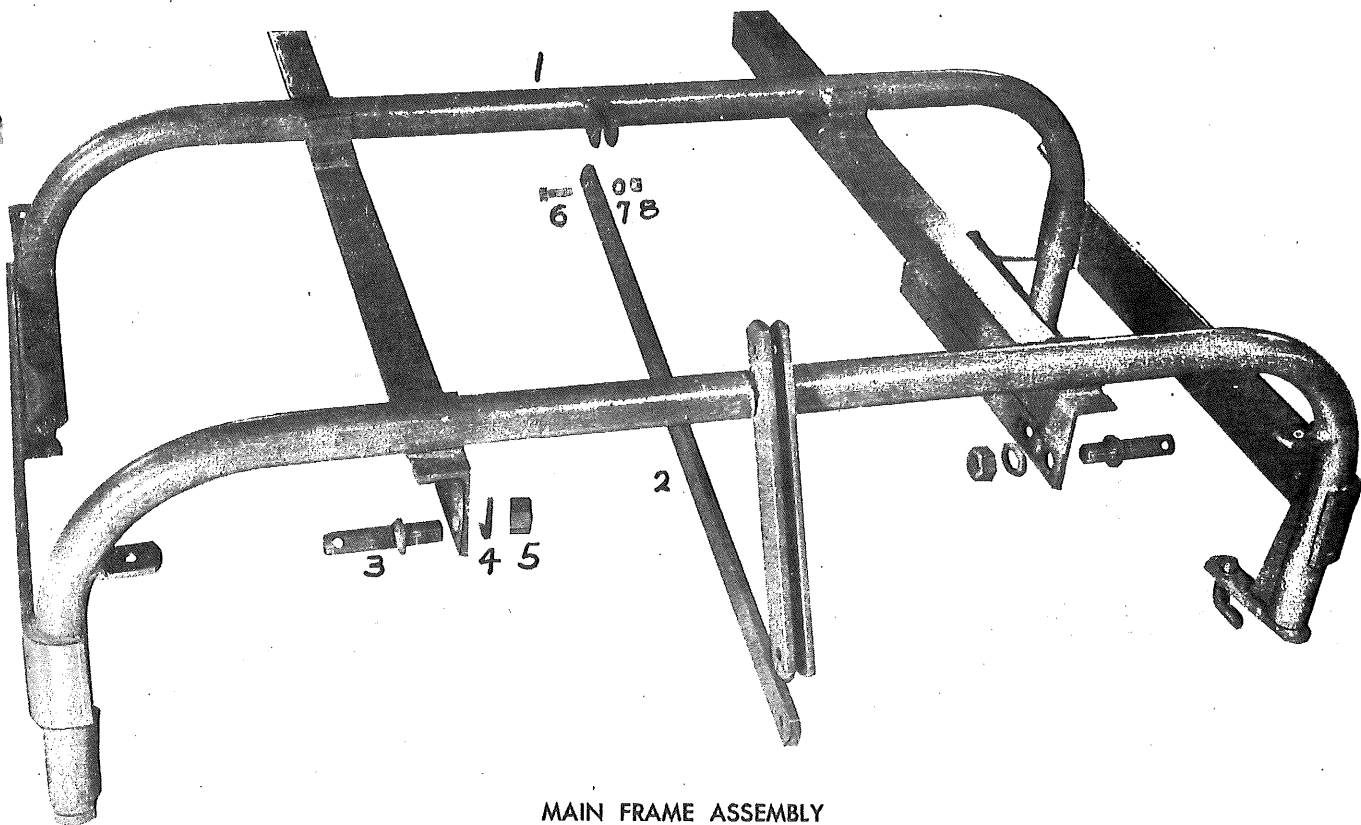
INDEX

	Page
Main Frame Assembly	2
"A" Frame Assembly	3
Gang Control Assembly	4
Disc Gang Service Parts	5
Rear Gang Frame Std. and Accessories	6-7
Front Gang Frame Std. and Accessories	6-7
Gang Scrapers	8

IMPORTANT

GIVE PART NUMBER AND DESCRIPTION WHEN ORDERING

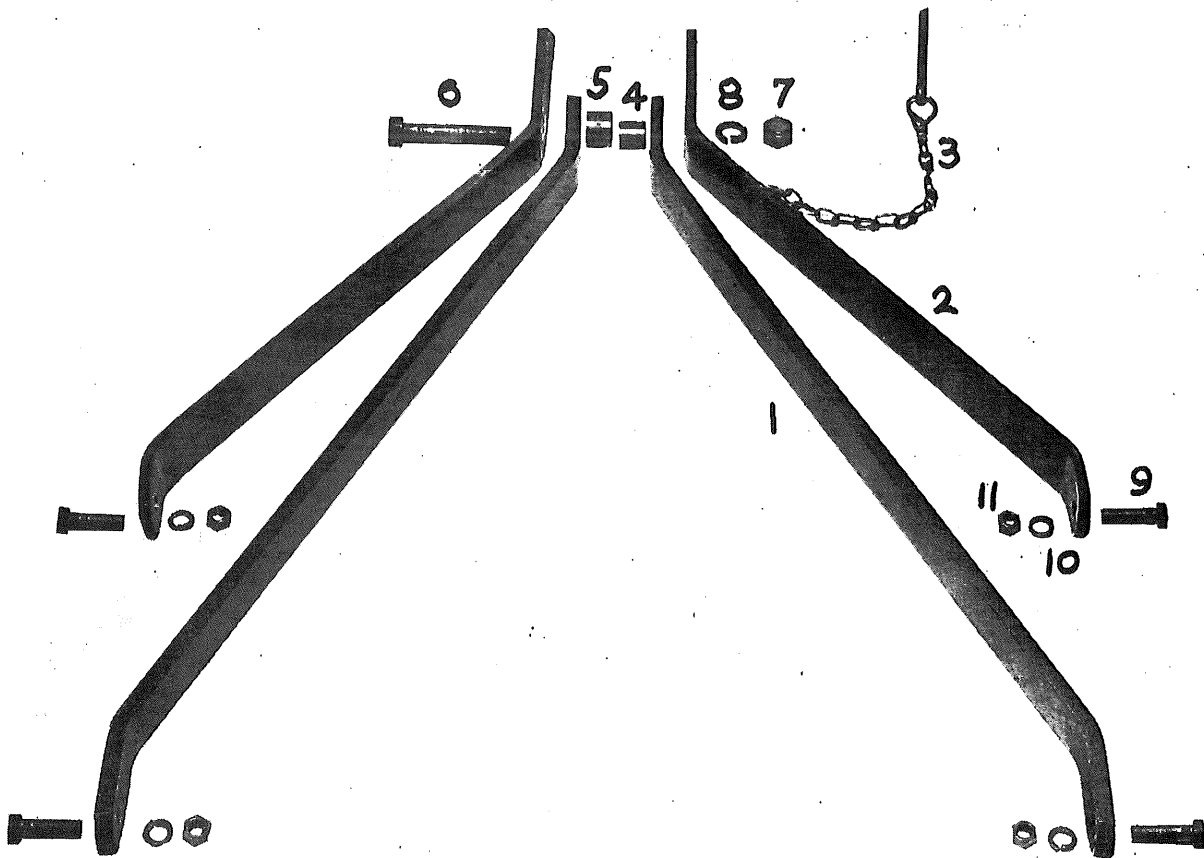
LOVE TRACTOR, INC. EAU CLAIRE, MICHIGAN



MAIN FRAME ASSEMBLY

Ref. No.	Part No.	DESCRIPTION	NUMBER REQUIRED		
			5 ft.	6½ ft.	8 ft.
1	D-500	Main Frame Welded Assembly	1	1	1
2	D-1585	Control Support Brace	1	1	1
3	D-1975	Draft Pull Pin	2	2	2
4	780-L	Lockwasher — 7/8" Spring Type	2	2	2
5	780-N	Hex Nut — 7/8 N.F.	2	2	2
6	706-C	Hex Capscrew — 7/16 N.F. x 1½ Long	1	1	1
7	716-L	Lockwasher — 7/16 Spring Type	1	1	1
8	716-N	Hex Nut — 7/16 N.F.	1	1	1

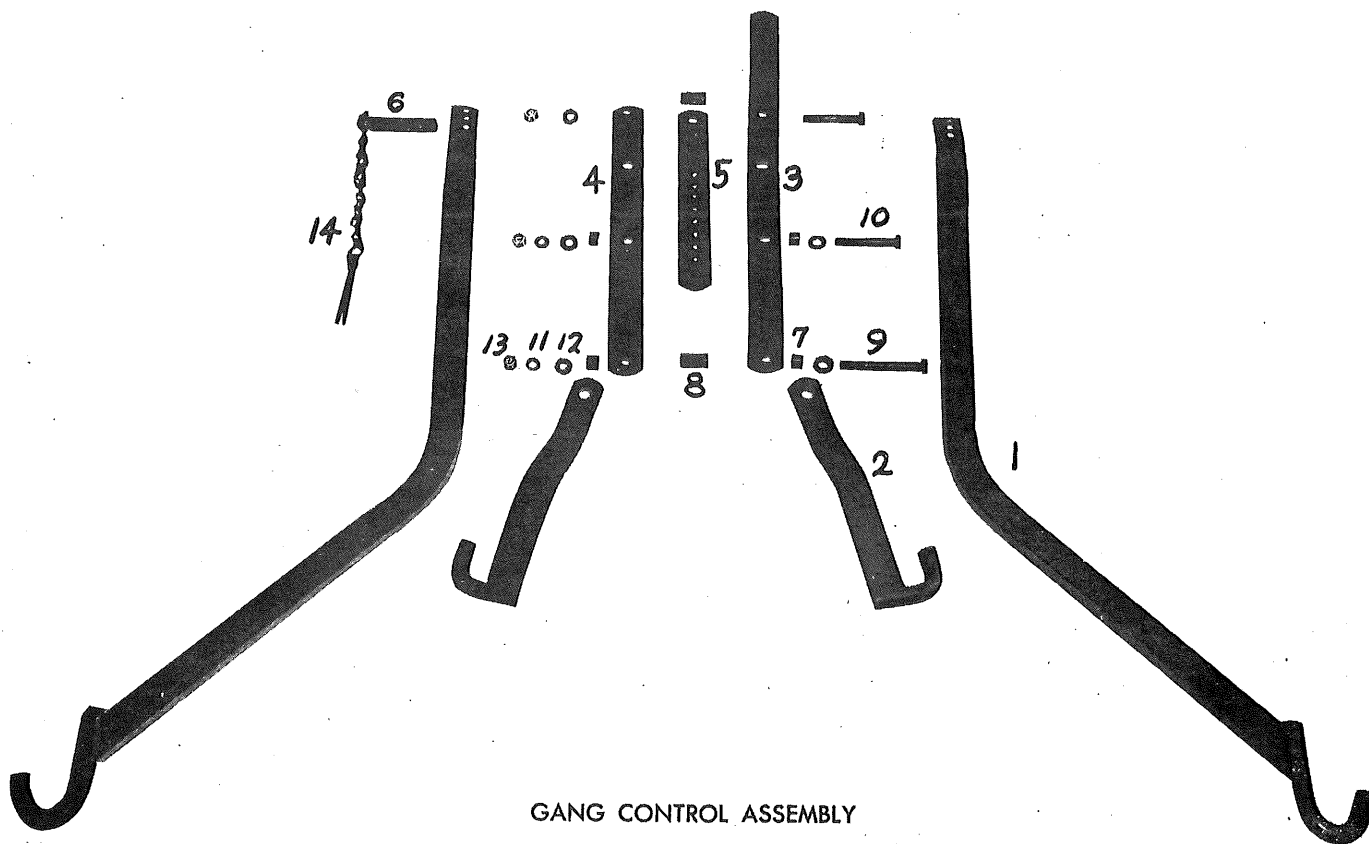
NOTE: D-500 Main Frame Welded Assembly can be used on Models D-45 to D-48 inclusive.



"A" FRAME ASSEMBLY

Ref. No.	Part No.	DESCRIPTION	NUMBER REQUIRED		
			5 ft.	6½ ft.	8 ft.
	D-2150	"A" Frame Assembly	1	1	1
1	D-2000	Rear Brace	2	2	2
2	D-2125	Upright	2	2	2
3	D-2750	Set Pin Assembly	1	1	1
4	D-2058	Spacer — 7/8 O.D. x 12 ga. x 7/8 Long	1	1	1
5	D-2078	Spacer — 1½ O.D. x 12 ga. x 7/8 Long	1	1	1
6	514-C	Hex Capscrew — 5/8 N.F. x 3½ Long	1	1	1
7	580-N	Hex Nut — 5/8 N.F.	1	1	1
8	580-L	Lockwasher — 5/8 Spring Type	1	1	1
9	706-C	Hex Capscrew — 7/16 N.F. x 1½ Long	4	4	4
10	716-L	Lockwasher — 7/16 Spring Type	4	4	4
11	716-N	Hex Nut — 7/16 N.F.	4	4	4

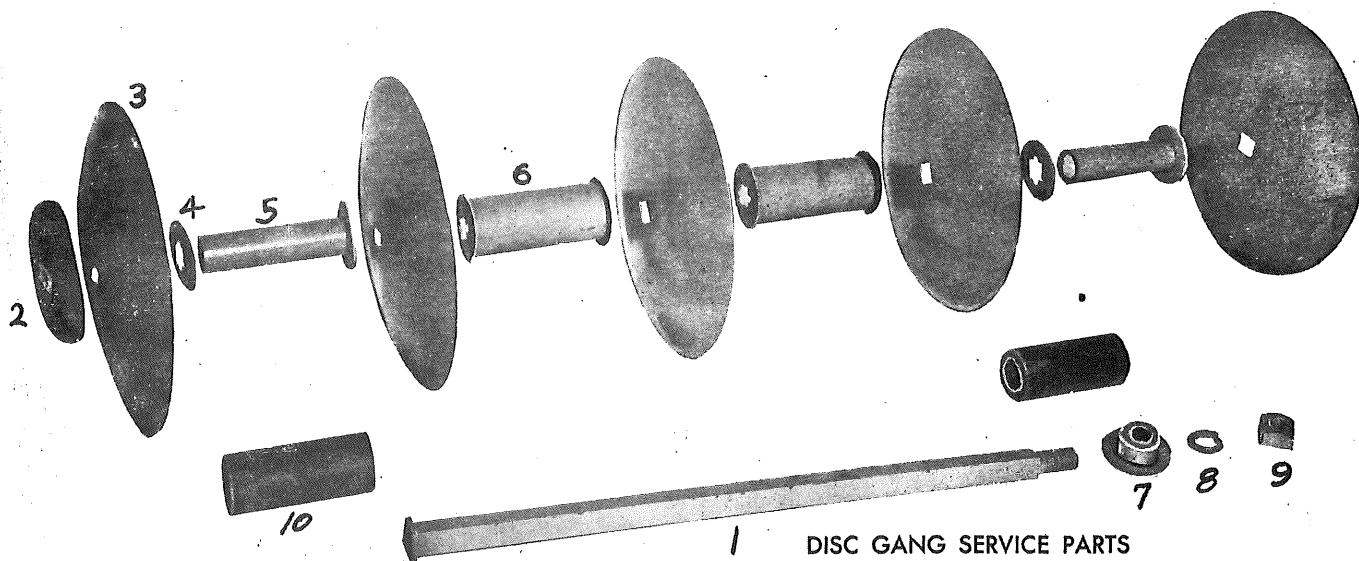
NOTE: D-2000 rear brace and D-2058 and D-2078 spacers, replace the eye bolt and rear brace assembly on D-47 Model. When ordering please specify the D-48 Model parts. When making this change additional mounting holes must be drilled in the angle on the main frame.



GANG CONTROL ASSEMBLY

Ref. No.	Part No.	DESCRIPTION	NUMBER REQUIRED		
			5 ft.	6½ ft.	8 ft.
	D-2450	Complete Gang Control Asembly	1	1	1
1	D-2250-R & L	Rear Control Bar	1R&1L	1R&1L	1R&1L
2	D-2350-R & L	Front Control Bar	1R&1L	1R&1L	1R&1L
3	D-2500	Control Lever Handle	1	1	1
4	D-2600	Control Lever Short	1	1	1
5	D-2700	Set Bar	1	1	1
6	D-2265	Rear Control Pin	1	1	1
7	D-2376	Spacer — 1½ O.D. x 12 ga. x ¾ Long	4	4	4
8	D-2776	Spacer — 1½ O.D. x 12 ga. x 1½ Long	2	2	2
9	716-C	Hex Capscrew — ¼ N.F. x 4 Long	1	1	1
10	713-C	Hex Capscrew — ¼ N.F. x 3¼ Long	2	2	2
11	716-L	Lockwasher — ¼ Spring Type	3	3	3
12	716-W	Washer — ¼ Flat	4	4	4
13	716-N	Hex Nut — ¼ N.F.	3	3	3
14	D-2750	Set Pin Assembly	1	1	1

NOTE: When using D-2250 Right and Left on Models D-45 and D-46, the hole in control lever handle and control lever short, must be enlarged to accommodate D-2265 Control Pin.



Ref. No.	Part No.	DESCRIPTION	NUMBER REQUIRED			
			5 ft.	6½ ft.	8 ft.	
1	D-4445	Axle Shaft — 7/8 Square	2			
	D-4446	Axle Shaft — 7/8 Square	2	4		
	D-4448	Axle Shaft — 7/8 Square			4	
	D-4465	Axle Shaft — 1½ Square	2			
	D-4466	Axle Shaft — 1½ Square	2	4		
2	D-4468	Axle Shaft — 1½ Square			4	
	D-4378	Bumper Washer for 7/8 Axle	2	2	2	
3	D-4398	Bumper Washer for 1½ Axle	2	2	2	
	D-4611-B	Disc Blade — 16" Regular — for 7/8 Axle	16	20	24	
	*D-4611-BC	Disc Blade — 16" Cut-away — for 7/8 Axle				
	D-4611-D	Disc Blade — 16" Regular — for 1½ Axle	16	20	24	
	*D-4611DC	Disc Blade — 16" Cut-away — for 1½ Axle				
	D-4810-B	Disc Blade — 18" Regular — for 7/8 Axle	16	20	24	
	*D-4810BC	Disc Blade — 18" Cut-away — for 7/8 Axle				
	D-4810-D	Disc Blade — 18" Regular — for 1½ Axle	16	20	24	
	*D-4810DC	Disc Blade — 18" Cut-away — for 1½ Axle				
	D-4209-D	Disc Blade — 20" Regular — for 1½ Axle	16	20	24	
	*D-4209DC	Disc Blade — 20" Cut-away — for 1½ Axle				
	4	D-4275-A	Drive Washer — for 7/8 Axle	20	20	20
		D-4295	Drive Washer — for 1½ Axle	20	20	20
	5	D-4050	Bearing Spool Assembly — for 7/8 Axle	8	8	8
		D-4052	Bearing Spool Assembly — for 1½ Axle	8	8	8
6	D-4350	Spacer Spool Assembly — for 7/8 Axle	6	8	12	
	D-4352	Spacer Spool Assembly — for 1½ Axle	6	8	12	
7	D-4778	Nut End Washer — for 7/8 Axle	4	4	4	
	D-4798	Nut End Washer — for 1½ Axle	4	4	4	
8	780-L	Lockwasher — 7/8 Spring Type	4	4	4	
	1005-L	Lockwasher — 1½ Spring Type	4	4	4	
9	780-NC	Square Nut — 7/8 N.C.	4	4	4	
	1005-NC	Square Nut — 1½ N.C.	4	4	4	
10	D-3567	Wood Bushing	8	8	8	

* Note — Cut-away blades optional at extra cost.

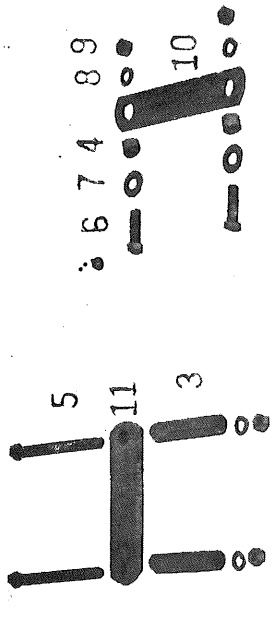
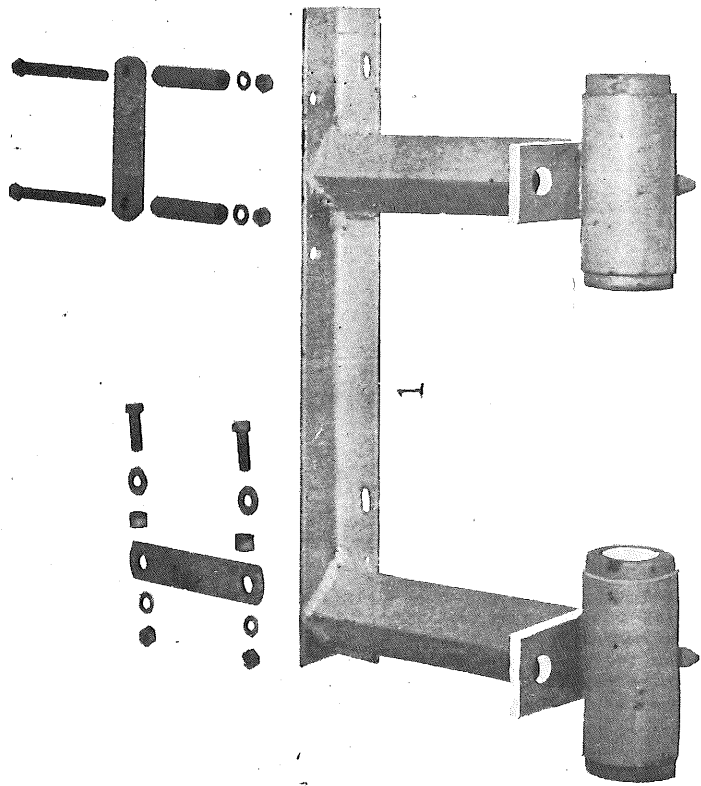
The parts in the above illustration showing the Disc Gangs have been used on all models inclusive from March, 1945 to August 1, 1948.

At the time this catalog goes to press a new design has been made in the bearing assembly. Prior to this change the Part No. D 3567 Wood Bushing was 6½" long and the D 4050 or D 4052 bearing 7½" long. The bearing also had the concave side of the washer welded to the bearing. In the new design the bushings and bearings have been shortened ½" and the convex side of the washer welded to the bearing so that it will fit into the concave side of the blade away from the thrust

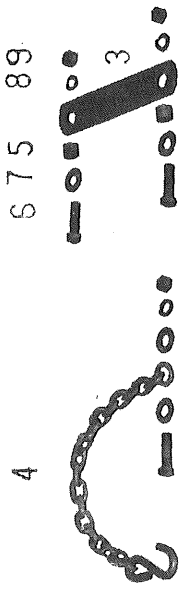
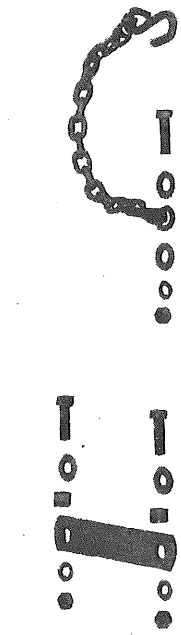
load. Bushings and bearings have both been shortened so that two loose washers can be put on the back side of the blade. This has been done for two reasons:

1. The two washers give additional back up strength.
2. When the loose thrust washer wears it can be replaced without the necessity of replacing the whole bearing.

This new design has been added to all models shipped after August 1, 1948 and should be used for all replacement orders. A supplement sheet will be forth coming shortly cataloging these new changes.



REAR GANG FRAME STANDARD AND ACCESSORIES



FRONT GANG FRAME STANDARD AND ACCESSORIES

REAR GANG FRAME STANDARD AND ACCESSORIES

Ref. No.	Part No.	DESCRIPTION	NUMBER REQUIRED		
			5 ft.	6½ ft.	8 ft.
1	D-3050-L	Left Rear Gang Standard	1	1	1
2	D-3050-R	Right Rear Gang Standard	1	1	1
3	D-3900	Spacer — 1 ¹ / ₁₆ O.D. x 12 ga. x 4 Long	4	4	4
4	D-2376	Spacer — 1 ¹ / ₁₆ O.D. x 12 ga. x 9 ¹ / ₁₆ Long	4	4	4
5	721-C	Hex Capscrew — 7 ¹ / ₁₆ N.F. x 5 ¹ / ₄ Long	4	4	4
6	706-C	Hex Capscrew — 7 ¹ / ₁₆ N.F. x 1 ¹ / ₂ Long	4	4	4
7	716-W	Washer — 7 ¹ / ₁₆ Flat	4	4	4
8	716-L	Lockwasher — 7 ¹ / ₁₆ Spring Type	8	8	8
9	716-N	Hex Nut — 7 ¹ / ₁₆ N.F.	8	8	8
10	D-3700	Stabilizer	2	2	2
11	D-3800	Depth Plate	2	2	2
12	D-3575	Grease Fitting	4	4	4

NOTE: When using D-3050 Right and Left for D-46 and D-47 Models, new holes must be drilled to accommodate scrapers.

When using D-3050 Right and Left for D-45 Model, rear end of depth bar D-1900, must be raised 1³/₄ inches. This can be done by drilling one hole in rear mounting bracket.

D-3050 R & L includes wood bushings align reamed and grease fittings.

When ordering Gang Standards without bushings or grease fittings use the part number D-3000 R or L.

FRONT GANG FRAME STANDARD AND ACCESSORIES

Ref. No.	Part No.	DESCRIPTION	NUMBER REQUIRED		
			5 ft.	6½ ft.	8 ft.
1	D-3150-L	Left Front Gang Standard	1	1	1
2	D-3150-R	Right Front Gang Standard	1	1	1
3	D-3750	Stabilizer	2	2	2
4	D-3650	Chain Assembly	2	2	2
5	D-2376	Spacer — 1 ¹ / ₁₆ O.D. x 12 ga. x 9 ¹ / ₁₆ Long	4	4	4
6	706-C	Hex Capscrew — 7 ¹ / ₁₆ N.F. x 1 ¹ / ₂ Long	6	6	6
7	716-W	Washer — 7 ¹ / ₁₆ Flat	6	6	6
8	716-L	Lockwasher — 7 ¹ / ₁₆ Spring Type	6	6	6
9	716-N	Hex Nut — 7 ¹ / ₁₆ N.F.	6	6	6
10	D-3575	Grease Fitting	4	4	4

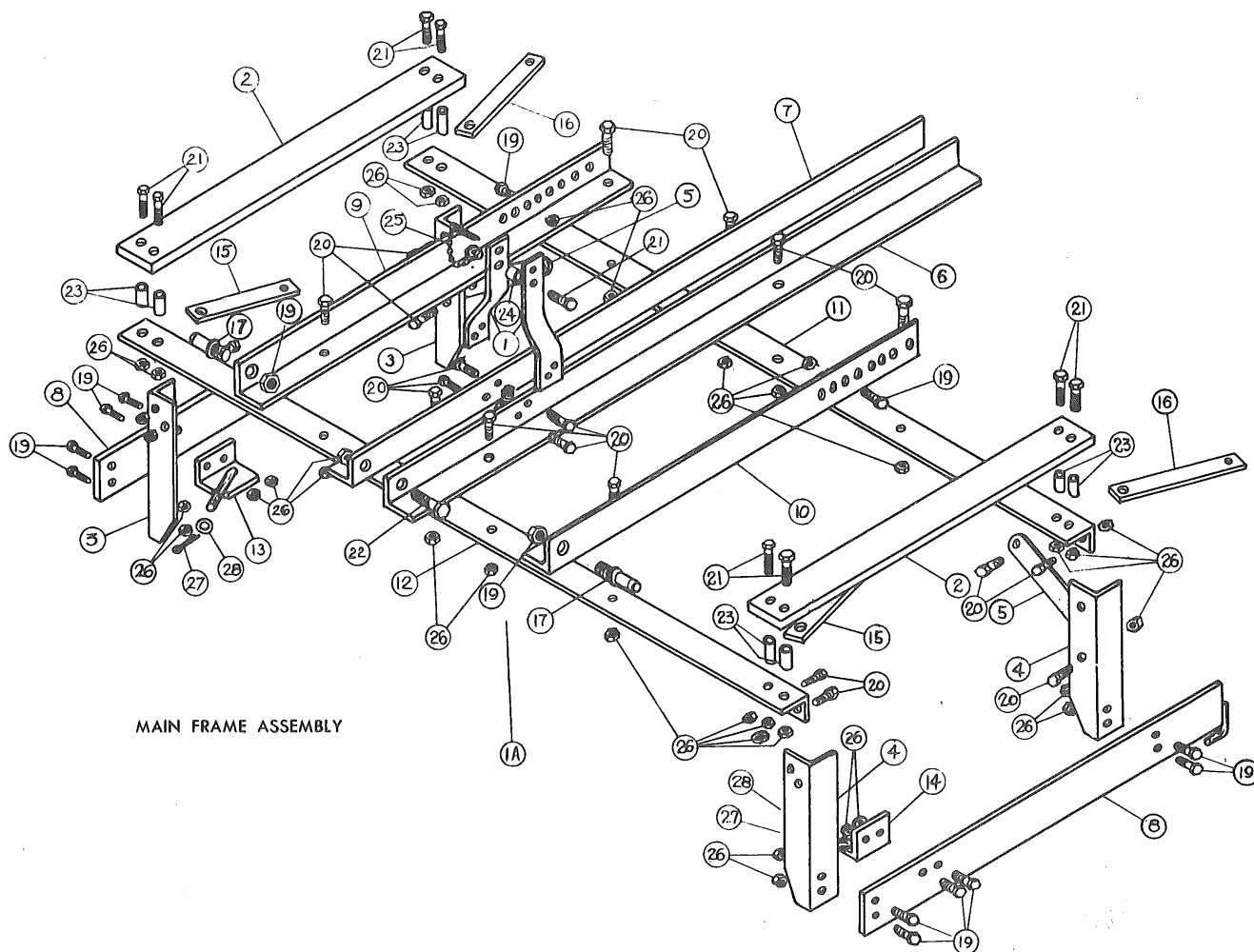
NOTE: When using D-3150 Right and Left on D-45 to D-47 inclusive, new hole must be drilled to accommodate scrapers.

D-3150 R & L includes wood bushings align reamed and grease fittings.

When ordering Gang Standard without bushings or grease fittings use the part number D-3100 R or L.

LOVE LIFT TANDEM DISC HARROW

PARTS LIST FOR MODEL LD-9



REF. NO.	PART NO.	DESCRIPTION	NO. REQUIRED
1A	D 50050	Main Frame Assembly	1
1	D 50025	Adjusting Bracket	2
2	D 50075	Top Side Plate	2
3	D 50100 R	Frame Upright (Right)	2
4	D 50100 L	Frame Upright (Left)	2
5	D 50300	Upright Brace	2
6	D 50325	Left Center Angle	1
7	D 50330	Right Center Angle	1
8	D 50450	Side Plate Assembly	2
	*D 50451 R	Side Plate Assembly	1
	*D 50451 L	Side Plate Assembly	1
9	D 50400 R	Lift Angle (Right)	1
10	D 50400 L	Lift Angle (Left)	1
11	D 50425	Cross Angle Rear	1
12	D 50435	Cross Angle Front	1
	*D 50545	Cross Angle Front	1
13	D 51350 R	Front Pivot Assembly (Right)	1

REF. NO.	PART NO.	DESCRIPTION	NO. REQUIRED
14	D 51350 L	Front Pivot Assembly (Left)	1
15	D 51375	Front Gang Stabilizer	2
	*D 51385	Front Gang Stabilizer	2
16	D 51400	Rear Gang Stabilizer	2
	*D 51405	Rear Gang Stabilizer	2
17	D 1975	Pull Pin	2
18	LN 780	Hex Nut 7/8"	2
19	705 C	Hex Capscrew 7/16" x 1 1/4"	14
20	704 C	Hex Capscrew 7/16" x 1"	22
21	707 C	Hex Capscrew 7/16" x 1 3/4"	9
22	715 C	Hex Capscrew 7/16" x 3 3/4"	1
23	D 2366	Spacer 7/16" x 7/16"	8
24	D 2376	Spacer 7/16" x 9/16"	1
25	D 2750	Chevis Pin Chain	1
26	716 LN	Hex Lock Nut 7/16"	46
27	D 3165	Colter Key	2
28	580 W	Washer 3/8"	2

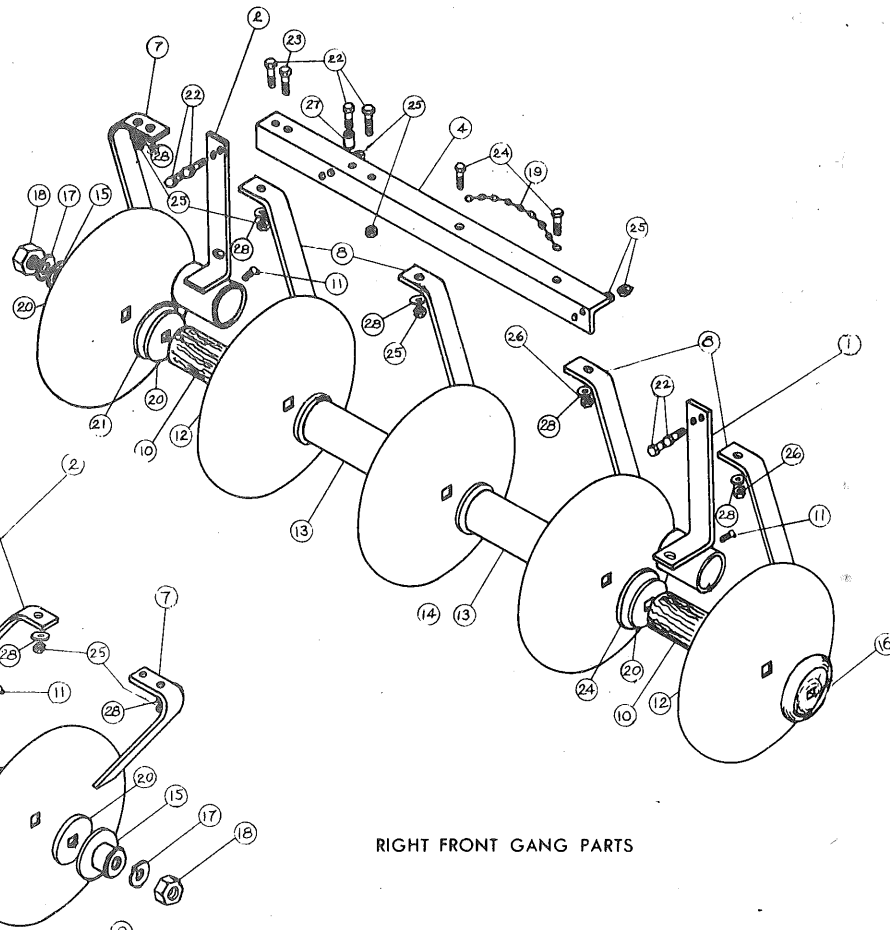
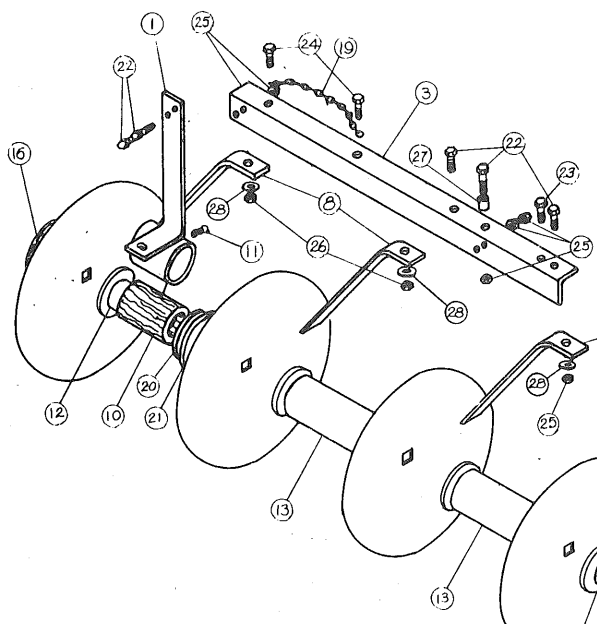
*NOTE—On 5' Models manufactured after July 15, 1950 these special parts are required.

GIVE PART NUMBER AND DESCRIPTION WHEN ORDERING

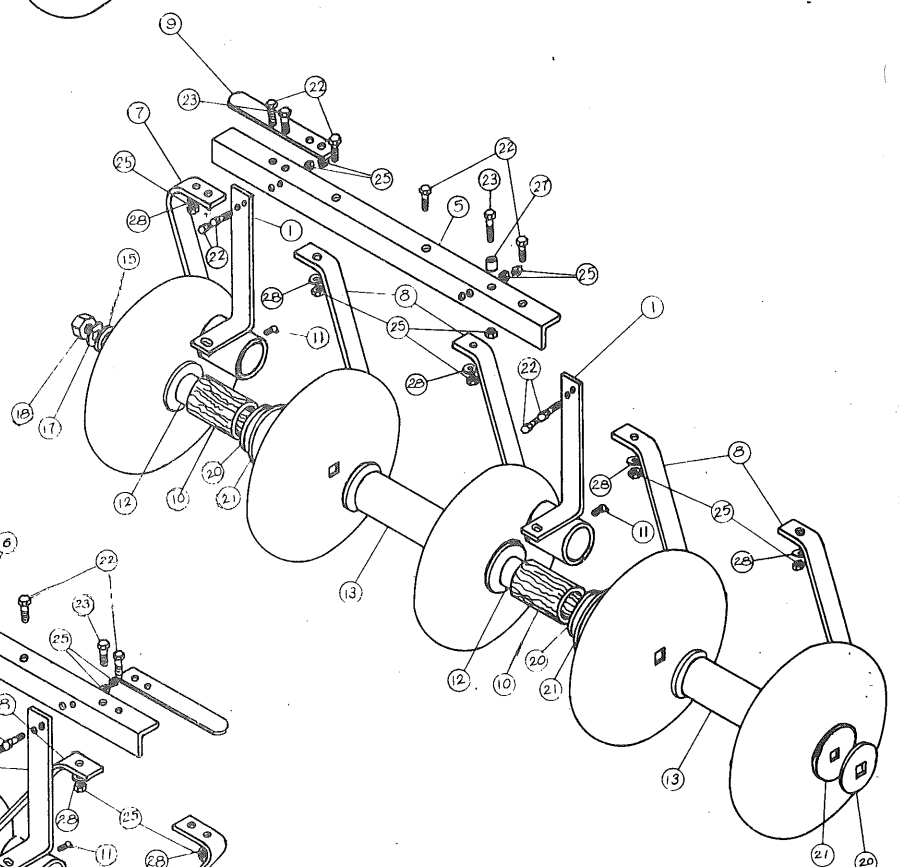
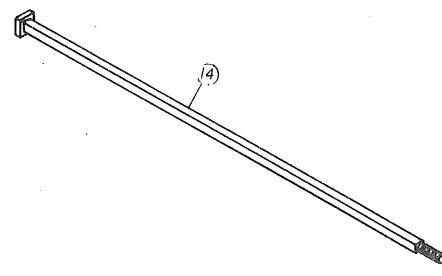
LOVE LIFT TOOLS, INC.

EAU CLAIRE, MICHIGAN

LEFT FRONT GANG PARTS

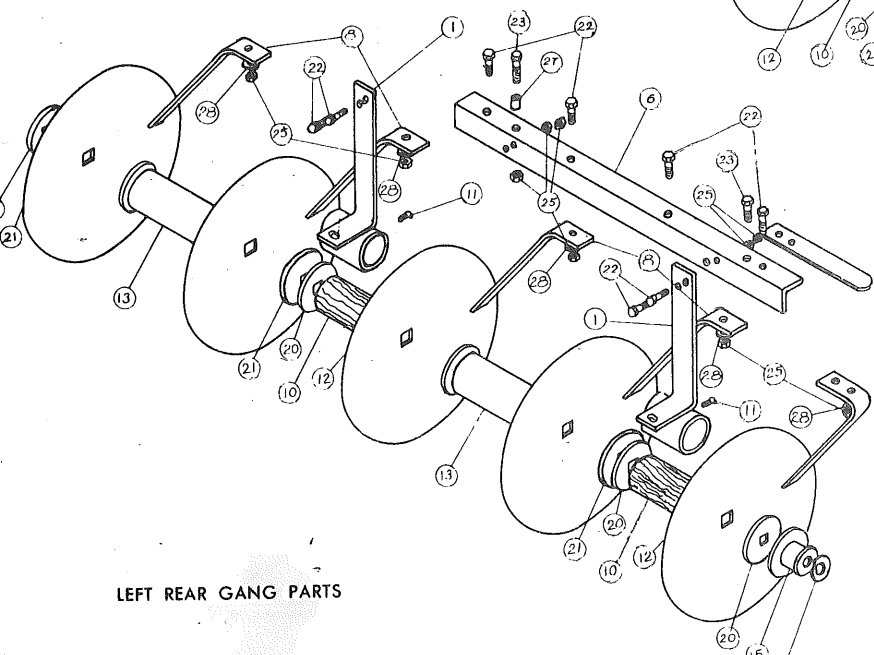


RIGHT FRONT GANG PARTS



RIGHT REAR GANG PARTS

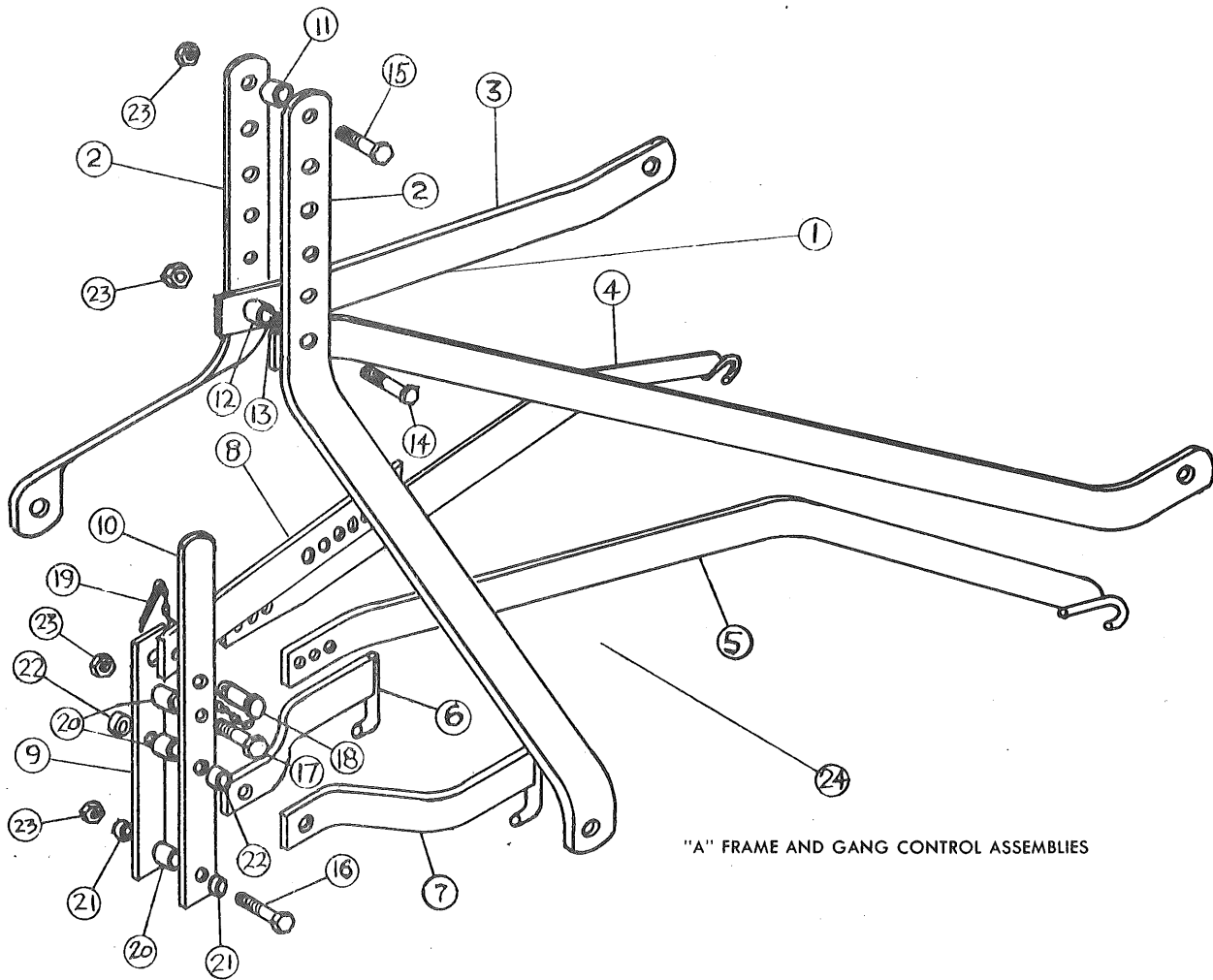
LEFT REAR GANG PARTS



FRONT AND REAR DISC GANG PARTS

REF. NO.	PART NO.	DESCRIPTION	NO. REQUIRED			
			5'	6 1/2'	8'	9'
1	D 51050	Gang Upright Assembly	6	6	6	10
2	D 51150	Gang Upright Assembly	2	2	2	2
3	D 51130	Front Gang Top Angle (Left)	1			
	D 51125	Front Gang Top Angle (Left)		1		
	D 51525	Front Gang Top Angle (Left)			1	
	D 51725	Front Gang Top Angle (Left)				1
4	D 51180	Front Gang Top Angle (Right)	1			
	D 51175	Front Gang Top Angle (Right)		1		
	D 51575	Front Gang Top Angle (Right)			1	
	D 51775	Front Gang Top Angle (Right)				1
5	D 51080	Rear Gang Top Angle (Left)	1			
	D 51075	Rear Gang Top Angle (Left)		1		
	D 51625	Rear Gang Top Angle (Left)			1	
	D 51825	Rear Gang Top Angle (Left)				1
6	D 51110	Rear Gang Top Angle (Right)	1			
	D 51100	Rear Gang Top Angle (Right)		1		
	D 51675	Rear Gang Top Angle (Right)			1	
	D 51875	Rear Gang Top Angle (Right)				1
7	D 51475	Scraper Blade	4	4	4	4
8	D 51500	Scraper Blade	12	16	20	24
9	D 51325	Rear Depth Plate	2	2	2	2
	D 51330	Rear Depth Plate	2			2
10	D 3567	Wood Bushing	8	8	8	12
11	D 3575	Grease Fitting	8	8	8	12
12	D 4050	Bearing Assembly 7/8" Axle	8	8	8	12
	D 4052	Bearing Assembly 1 1/8" Axle	8	8	8	12
13	D 4350	Spacer Spool Assembly 7/8" Axle	4	8	12	12
	D 4352	Spacer Spool Assembly 1 1/8" Axle	4	8	12	12
14	D 4445	Axle Shaft 7/8"	4			
	D 4465	Axle Shaft 1 1/8"	4			
	D 4446	Axle Shaft 7/8"		4		
	D 4466	Axle Shaft 1 1/8"		4		
	D 4448	Axle Shaft 7/8"			4	
	D 4468	Axle Shaft 1 1/8"			4	
15	D 4469	Axle Shaft 1 1/8"				4
	D 4778	Nut End Washer 7/8"	4	4	4	
	D 4798	Nut End Washer 1 1/8"	4	4	4	4
16	D 4378	Bumper Washer 7/8"	2	2	2	
	D 4398	Bumper Washer 1 1/8"	2	2	2	2
17	D 4777	Nut Lock 7/8"	4	4	4	
	D 4797	Nut Lock 1 1/8"	4	4	4	4
18	D 780 NC	Axle Nut 7/8"	4	4	4	
	1005 NC	Axle Nut 1 1/8"	4	4	4	4
19	D 3650	Chain Assembly	2	2	2	2
20	D 4275 A	Drive Washer 7/8"	14	14	14	
	D 4295	Drive Washer 1 1/8"	14	14	14	18
21	D 4275 A	Drive Washer 7/8"	10	10	10	
	D 4265	Drive Washer 1 1/8"	10	10	10	14
22	705 C	Hex Capscrews 7/16" x 1 1/4"	26	30	34	38
23	706 C	Hex Capscrews 7/16" x 1 1/2"	6	6	6	6
24	507 C	Hex Capscrews 5/16" x 1 3/4"	4	4	4	4
25	716 LN	Hex Nut 7/16"	32	36	40	44
26	516 LN	Hex Nut 5/16"	4	4	4	4
27	D 2366	Spacer 7/16" x 7/16"	4	4	4	4
28	716 W	Flat Washer 7/16"	16	20	24	28
	D 4612 B	Disc Blade 16" Reg. 7/8" Axle	16	20	24	
	D 4612 BC	*Disc Blade 16" C.O. 7/8" Axle				
	D 4612 D	Disc Blade 16" Reg. 1 1/8" Axle	16	20	24	28
	D 4612 DC	*Disc Blade 16" C.O. 1 1/8" Axle				
	D 4811 B	Disc Blade 18" Reg. 7/8" Axle	16	20	24	
	D 4811 BC	*Disc Blade 18" C.O. 7/8" Axle				
	D 4811 D	Disc Blade 18" Reg. 1 1/8" Axle	16	20	24	28
	D 4811 DC	*Disc Blade 18" C.O. 1 1/8" Axle				
	D 4209 D	Disc Blade 20" Reg. 1 1/8" Axle	16	20	24	28
	D 4209 DC	*Disc Blade 20" C.O. 1 1/8" Axle				
	D 4229 D	Disc Blade 22" Reg. 1 1/8" Axle				

* Note — Cut-away blades optional at extra cost.



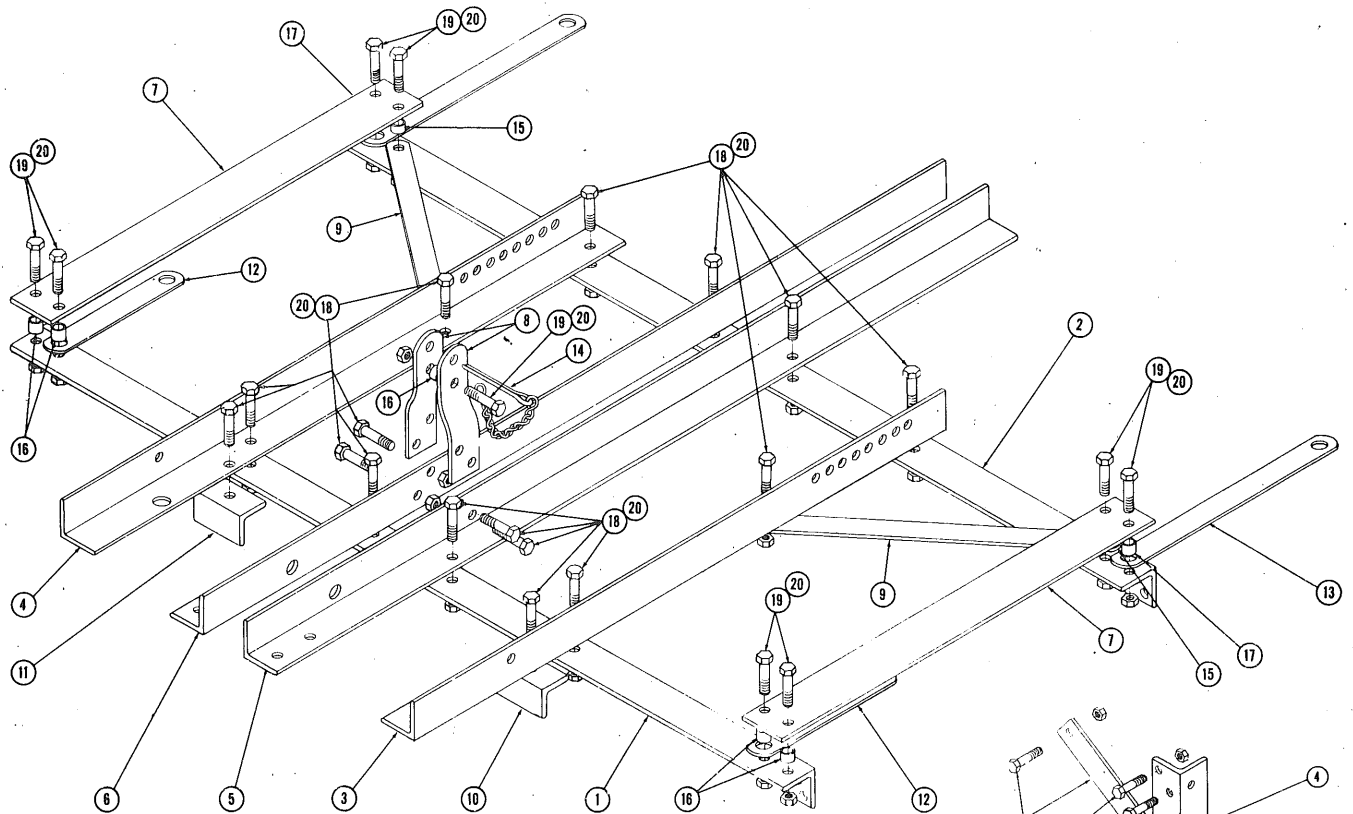
"A" FRAME AND GANG CONTROL ASSEMBLIES

REF. NO.	PART NO.	DESCRIPTION	NO. REQUIRED
1	D 50550	"A" Frame Assembly	1
2	D 50500	"A" Frame Upright	2
3	D 50525	"A" Frame Rear Brace	2
4	D 2200 R	Rear Gang Control (Right)	1
5	D 2200 L	Rear Gang Control (Left)	1
6	D 2350 R	Front Gang Control (Right)	1
7	D 2350 L	Front Gang Control (Left)	1
8	D 50125	Adjusting Control	1
9	D 50225	Adjusting Lever	1
10	D 50275	Adjusting Handle	1
11	D 2326	Spacer $\frac{7}{16}$ " x $1\frac{7}{8}$ "	1
12	D 2078	Spacer $\frac{7}{8}$ " x $\frac{7}{8}$ "	1

REF. NO.	PART NO.	DESCRIPTION	NO. REQUIRED
13	D 2058	Spacer $\frac{5}{8}$ " x $\frac{7}{8}$ "	1
14	513 C	Hex. Capscrew $\frac{5}{8}$ " x $3\frac{1}{4}$ "	1
15	712 C	Hex. Capscrew $\frac{7}{16}$ " x 3"	1
16	715 C	Hex. Capscrew $\frac{7}{16}$ " x $3\frac{3}{4}$ "	1
17	711 C	Hex. Capscrew $\frac{7}{16}$ " x $2\frac{3}{4}$ "	1
18	D 2265	Chevis Pin	1
19	D 2750	Chevis Pin Chain	1
20	D 2776	Spacer $\frac{7}{16}$ " x $1\frac{1}{16}$ "	3
21	D 2376	Spacer $\frac{7}{16}$ " x $\frac{1}{16}$ "	2
22	D 2366	Spacer $\frac{7}{16}$ " x $\frac{1}{16}$ "	2
23	716 LN	Hex. Lock Nut $\frac{7}{16}$ "	4
24	D 50650	Gang Control Assembly	1

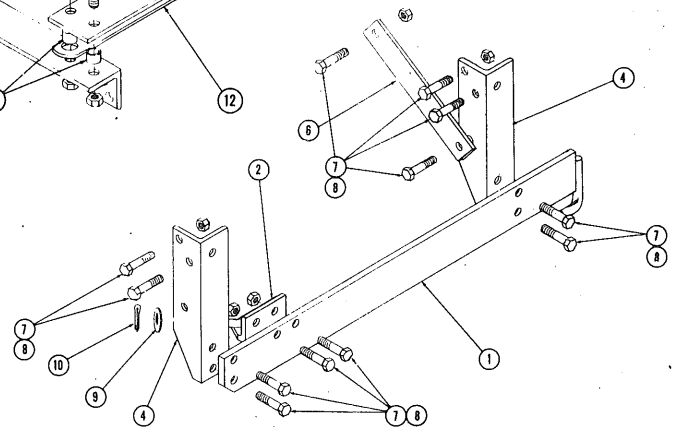
LOVE CONTOUR TANDEM DISC HARROW

PARTS LIST FOR MODELS LDC-10



MODEL LDC-10
LIFT TANDEM DISC HARROW BASIC MAIN FRAME
ASSEMBLY LDC-57051
(FOR 6 1/2' AND 8' HARROWS)

REF. NO.	PART NO.	DESCRIPTION	NO. REQ'D
1	D-50445	Front Cross Angle	1
2	D-50425	Rear Cross Angle	1
3	LDC-57100-L	Left Lift Angle	1
4	LDC-57100-R	Right Lift Angle	1
5	LDC-57120	Left Center Angle	1
6	LDC-57125	Right Center Angle	1
7	D-50075	Top Side Plate	2
8	D-50025	Adjusting Bracket	2
9	D-50310	Frame Brace	2
10	LDC-57135-L	Left Pivot Stop	1
11	LDC-57135-R	Right Pivot Stop	1
12	D-51375	Front Stabilizer	2
13	D-51400	Rear Stabilizer	2
14	D-2750	Chain and Cotterkey	1
15	D-2366	Spacer 7/16" x 7/16"	2
16	D-2376	Spacer 7/16" x 9/16"	5
17	D-2346	Spacer 7/16" x 3/4"	2
18	705-C	Capscrew 7/16" x 1 1/4"	16
19	707-C	Capscrew 7/16" x 1 3/4"	9
20	716-LN	Locknut 7/16"	25



MODELS LD-10 AND LDC-10
LIFT TANDEM DISC HARROW FRAME ENDS
ASSEMBLY D-50051 — LEFT (SHOWN)
ASSEMBLY D-50052 — RIGHT
(FOR 6 1/2' and 8' HARROWS)

REF. NO.	PART NO.	DESCRIPTION	NO. REQ'D
1	D-50450	Side Plate	2
2	D-51350-L	Left Front Pivot	1
3	D-51350-R	Right Front Pivot	1
4	D-50100	Left Frame Upright	2
5	D-50110	Right Frame Upright	2
6	D-50300	Upright Brace	2
7	705-C	Capscrew 7/16" x 1 1/4"	24
8	716-LN	Locknut 7/16"	24
9	580-W	Washer 5/8"	2
10	D-3165	Cotterkey 3/16" x 1 1/2"	2

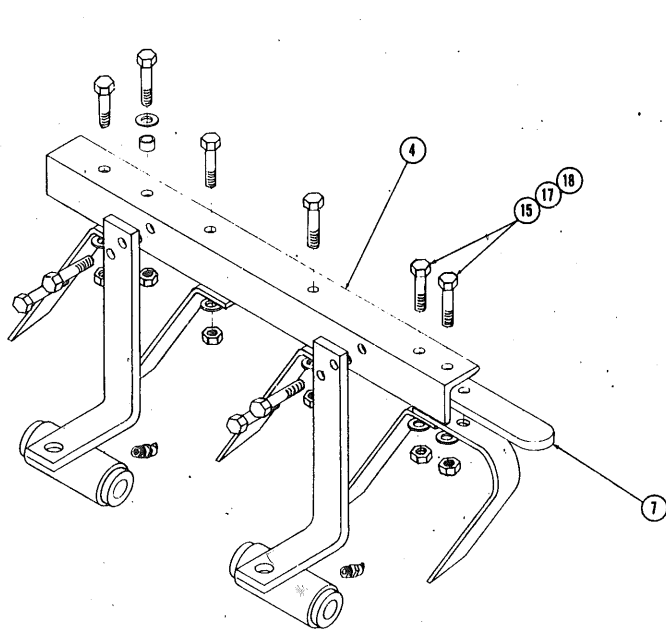
LOVE LIFT TOOLS INC.

EAU CLAIRE, MICHIGAN

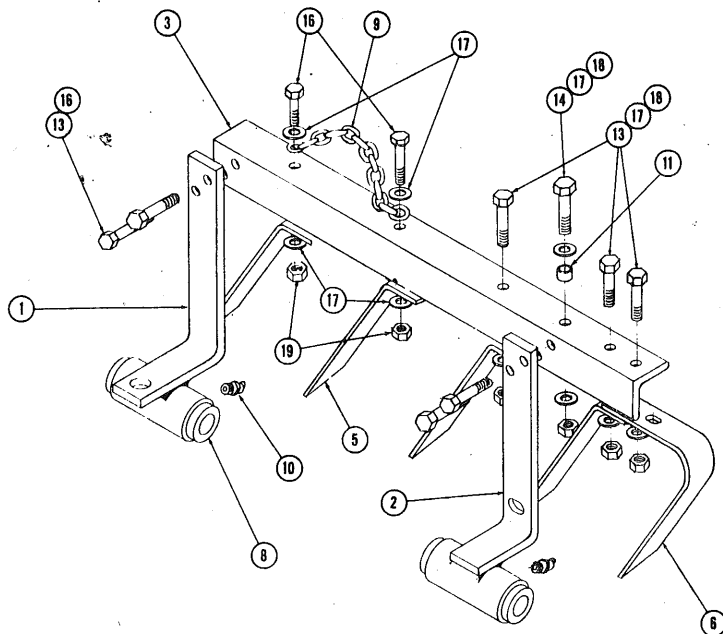
Subsidiary of Love Tractor, Inc.

www.ntractorclub.com

PRINTED IN U.S.A.

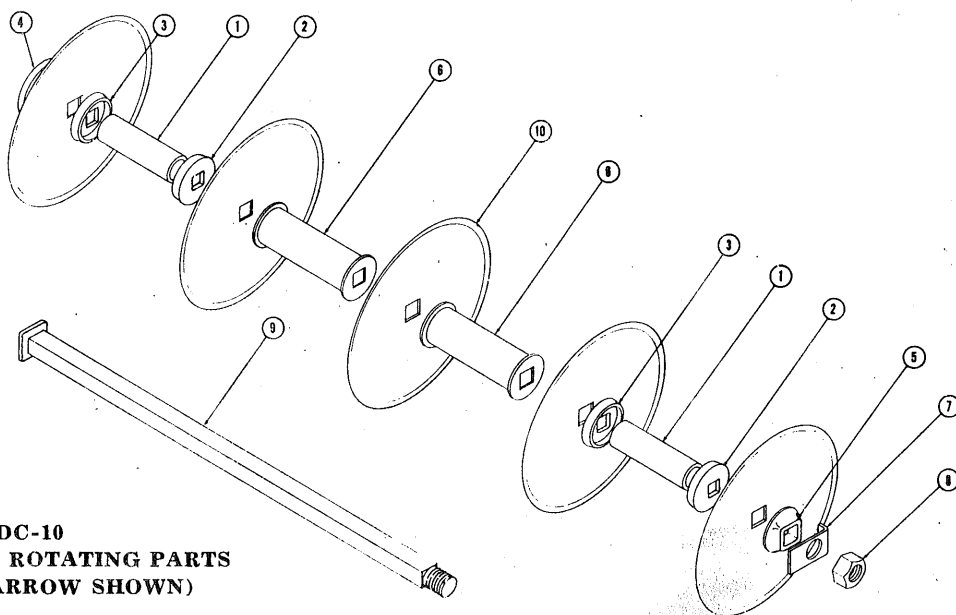


RIGHT REAR SHOWN



LEFT FRONT SHOWN

MODELS LD-10 AND LDC-10
LIFT TANDEM DISC HARROW GANG FRAMES
(FOR 6 1/2'-8'-9' HARROWS)



MODELS LD-10 AND LDC-10
LIFT TANDEM DISC HARROW GANG ROTATING PARTS
(BLADE ASSEMBLY FOR 6 1/2' HARROW SHOWN)

REF. NO.	PART NO.	DESCRIPTION	REQ'D PER HAR.			REF. NO.	PART NO.	DESCRIPTION	REQ'D PER HAR.		
			6 1/2'	8'	9'				6 1/2'	8'	9'
1	D-4060	Bearing	8	8	8	9	D-4466	Axle 1 1/8"	4		
2	D-4020	Thrust Washer	8	8	8		D-4468	Axle 1 1/8"		4	
3	D-4025	Bearing Washer	8	8	8		D-4469	Axle 1 1/8"			4
4	D-4398	*Bumper Washer	2	2	2	10	D-4612D	Disc Blade 16" Reg.	20	24	28
	D-51320	**Outer End Washer	2	2	2		D-4612DC	Disc Blade 16" Cut-out			
5	D-4798	Nut End Washer	4	4	4		D-4811D	Disc Blade 18" Regular			
6	D-4352	Spacer Spool	8	12	16		D-4811DC	Disc Blade 18" Cut-out			
7	D-4797	Nut Lock	4	4	4		D-4209D	Disc Blade 20" Regular			
8	1005-NC	Axle Nut	4	4	4		D-4209DC	Disc Blade 20" Cut-out			
9	D-4465	Axle 1 1/8"					D-4229D	Disc Blade 22" Regular			

*Bumper washers are standard on front right and left gangs.

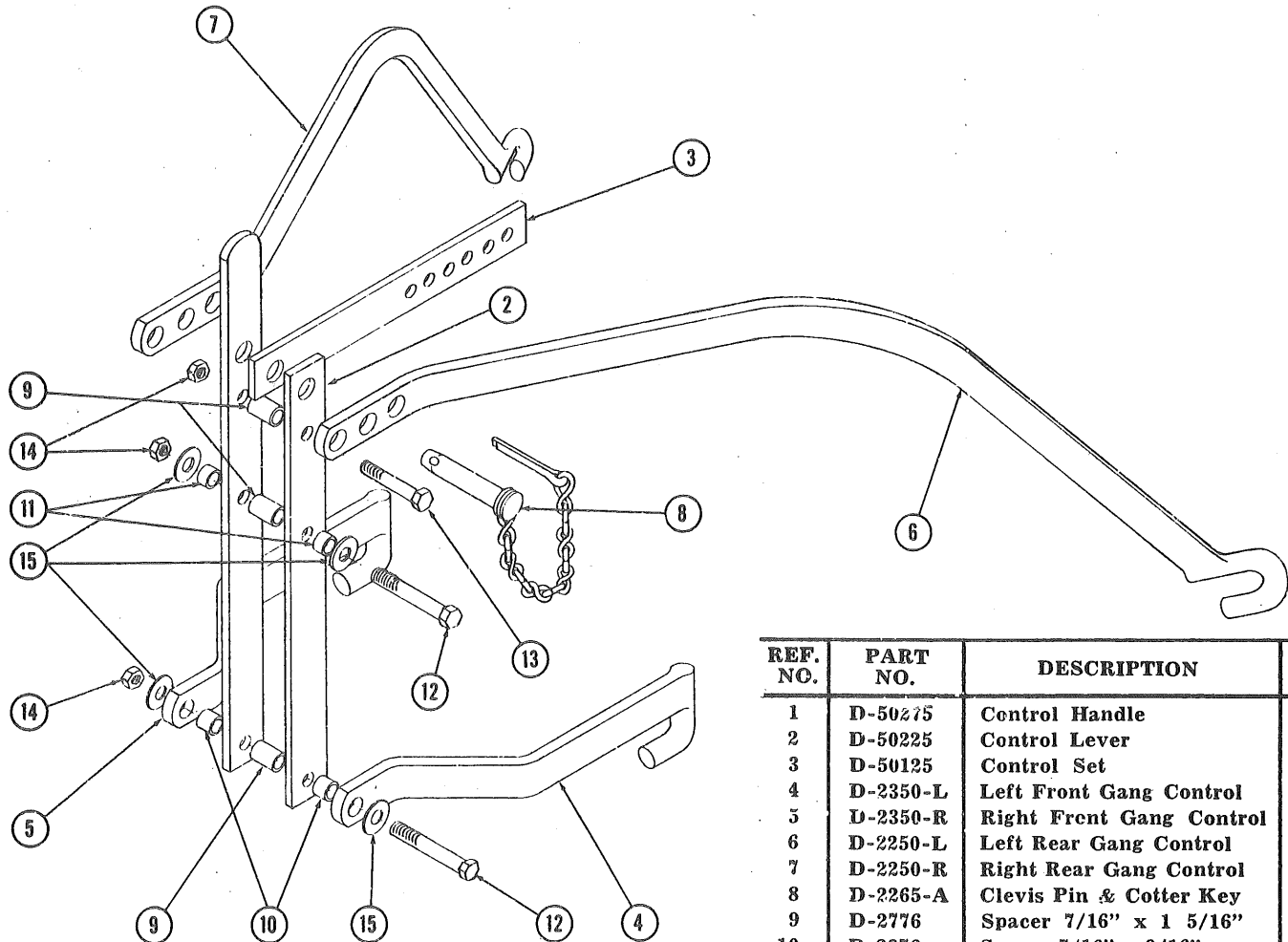
**Outer end washers are standard on rear right and left gangs.

REF. NO.	PART NO.	DESCRIPTION	PER HAR. 6 1/2' 8' 9'	REF. NO.	PART NO.	DESCRIPTION	PER HAR. 6 1/2' 8' 9'
1	D-51052	Gang Upright	6 6 10	6	D-51475	Scraper	4 4 4
2	D-51053	Gang Upright	2 2 2	7	D-51330	Depth Plate	2 2 4*
3	D-51125	Left Front Gang Top Angle	1	8	D-3577	Wood Bushing	8 8 12
	D-51175	Right Front Gang Top Angle	1	9	D-3650	Lift Chain	2 2 2
	D-51525	Left Front Gang Top Angle	1	10	D-3575	Grease Fitting	8 8 12
	D-51575	Right Front Gang Top Angle	1	11	D-2366	Spacer 7/16" x 7/16"	4 4 4
	D-51725	Left Front Gang Top Angle	1	12*	D-2376	Spacer 7/16" x 9/16"	4 4*
	D-51775	Right Front Gang Top Angle	1	13	705-C	Capscrew 7/16" x 1 1/4"	28 32 36
4	D-51075	Left Rear Gang Top Angle	1	14	706-C	Capscrew 7/16" x 1 1/2"	8 8 4
	D-51100	Right Rear Gang Top Angle	1	15*	710-C	Capscrew 7/16" x 2 1/2"	4*
	D-51625	Left Rear Gang Top Angle	1	16	507-C	Capscrew 5/16" x 1 3/4"	4 4 4
	D-51675	Right Rear Gang Top Angle	1	17	716-W	Flat Washer 7/16"	28 32 36
	D-51825	Left Rear Gang Top Angle	1	18	716-LN	Locknut 7/16"	36 40 44
	D-51875	Right Rear Gang Top Angle	1	19	516-LN	Locknut 5/16"	4 4 4
5	D-51500	Scraper	16 20 24				

When complete Gang Frame and Rotating Parts are needed use the following assembly numbers:

	6 1/2'	8'	9'
Left Front Gang	D-51550	D-51650	D-51750
Right Front Gang	D-51551	D-51651	D-51751
Left Rear Gang	D-51552	D-51652	D-51752
Right Rear Gang	D-51553	D-51653	D-51753

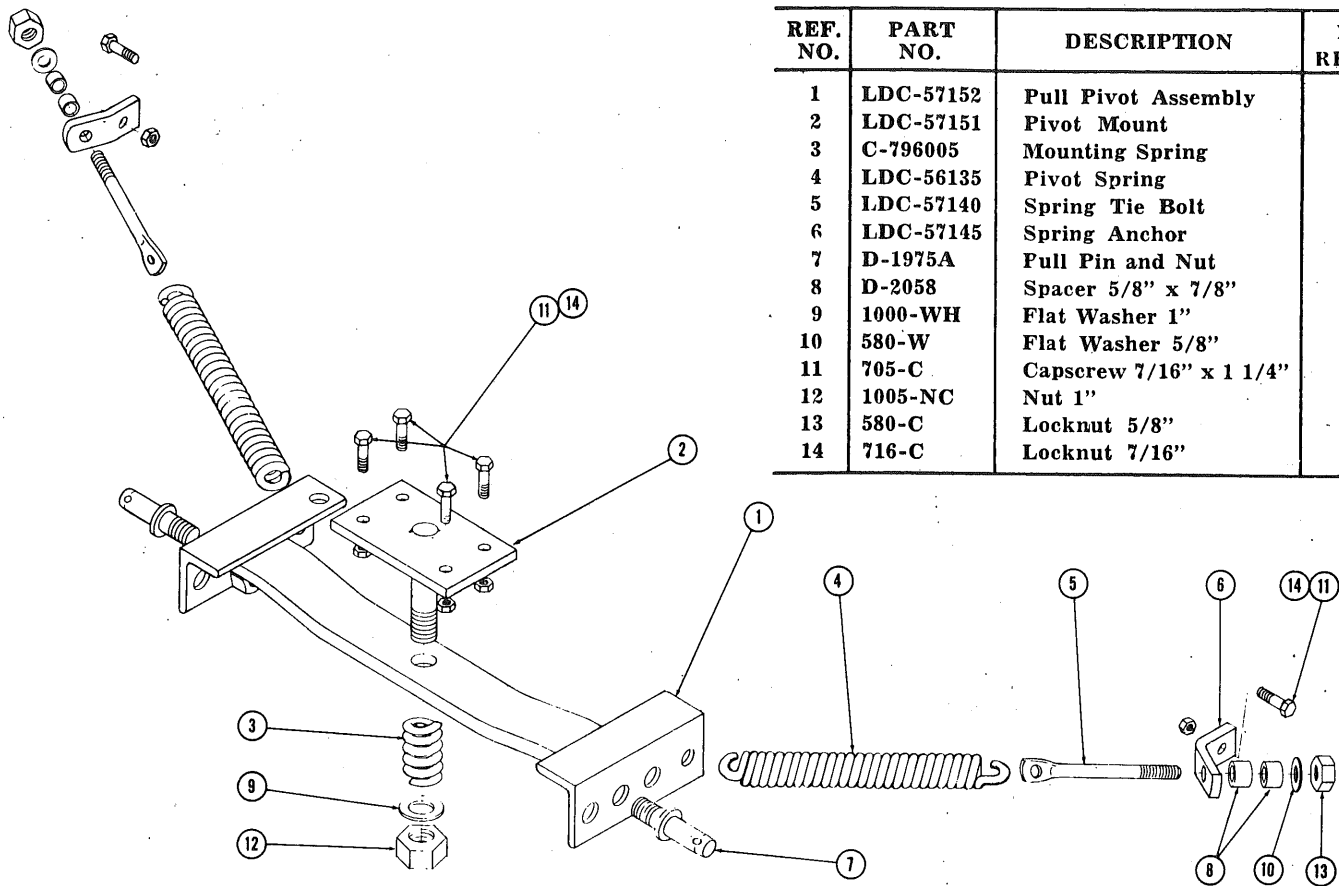
*NOTE: Added Depth Plates are used on rear gangs of 5' & 9' Harrows. (Not Shown)



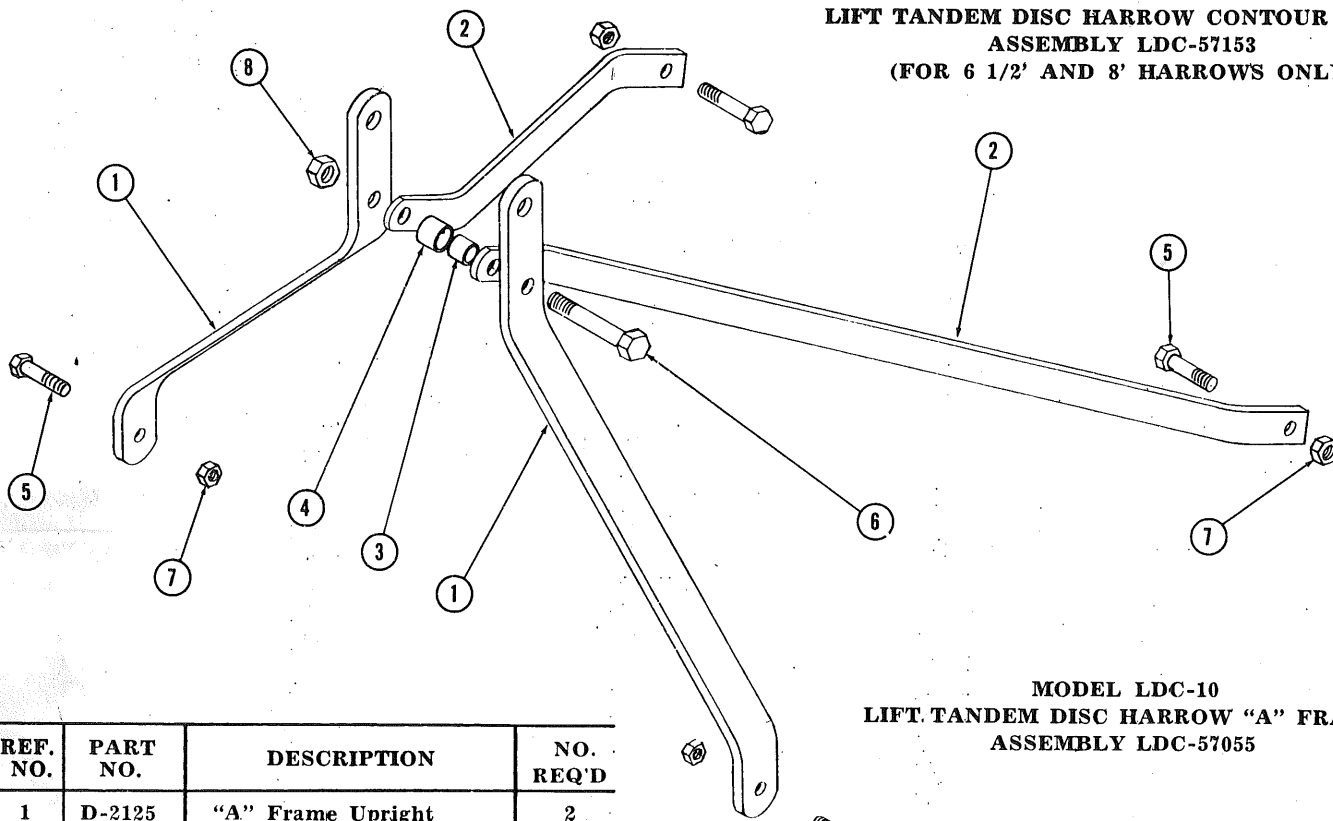
MODELS LD-10 AND LDC-10
LIFT TANDEM DISC HARROW GANG CONTROL
ASSEMBLY D-50650

REF. NO.	PART NO.	DESCRIPTION	NO. REQ'D
1	D-50275	Control Handle	1
2	D-50225	Control Lever	1
3	D-50125	Control Set	1
4	D-2350-L	Left Front Gang Control	1
5	D-2350-R	Right Front Gang Control	1
6	D-2250-L	Left Rear Gang Control	1
7	D-2250-R	Right Rear Gang Control	1
8	D-2265-A	Clevis Pin & Cotter Key	1
9	D-2776	Spacer 7/16" x 1 5/16"	3
10	D-2376	Spacer 7/16" x 9/16"	2
11	D-2366	Spacer 7/16" x 7/16"	2
12	715-C	Capscrew 7/16" x 3 3/4"	2
13	711-C	Capscrew 7/16" x 2 3/4"	1
14	716-LN	Locknut 7/16"	3
15	716-W	Flat Washer 7/16"	4

REF. NO.	PART NO.	DESCRIPTION	NO. REQ'D
1	LDC-57152	Pull Pivot Assembly	1
2	LDC-57151	Pivot Mount	1
3	C-796005	Mounting Spring	1
4	LDC-56135	Pivot Spring	2
5	LDC-57140	Spring Tie Bolt	2
6	LDC-57145	Spring Anchor	2
7	D-1975A	Pull Pin and Nut	2
8	D-2058	Spacer 5/8" x 7/8"	4
9	1000-WH	Flat Washer 1"	1
10	580-W	Flat Washer 5/8"	2
11	705-C	Capscrew 7/16" x 1 1/4"	6
12	1005-NC	Nut 1"	1
13	580-C	Locknut 5/8"	2
14	716-C	Locknut 7/16"	6



**MODEL LDC-10
LIFT TANDEM DISC HARROW CONTOUR PIVOT
ASSEMBLY LDC-57153
(FOR 6 1/2' AND 8' HARROWS ONLY)**

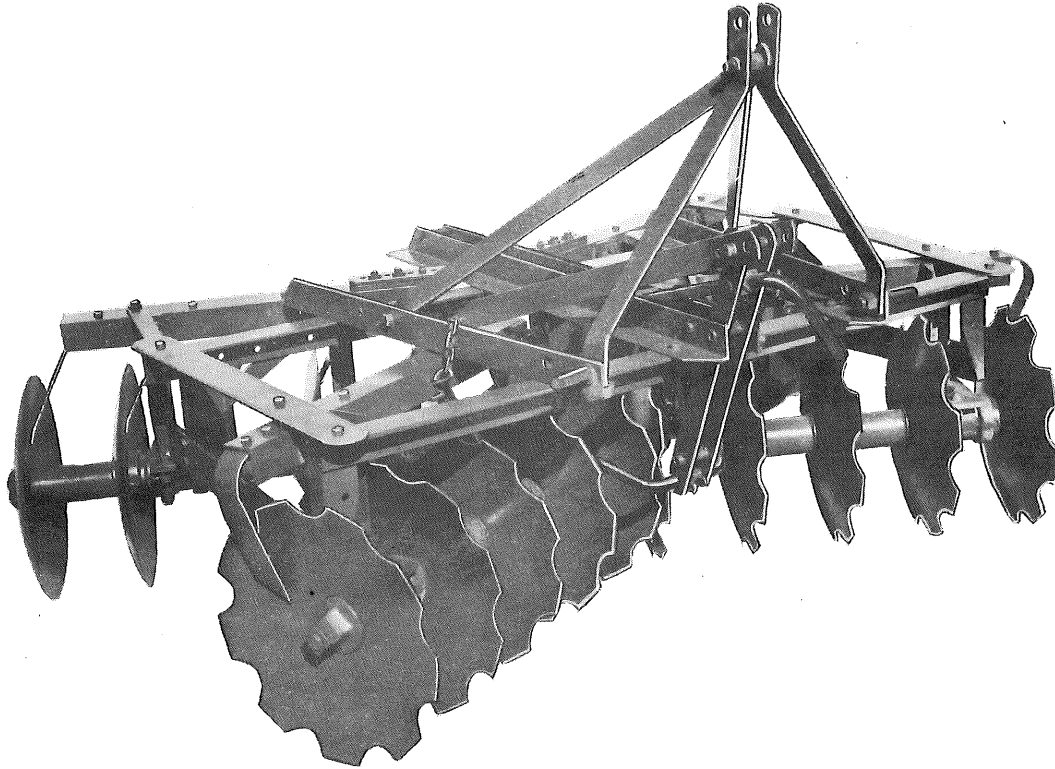


**MODEL LDC-10
LIFT TANDEM DISC HARROW "A" FRAME
ASSEMBLY LDC-57055**

REF. NO.	PART NO.	DESCRIPTION	NO. REQ'D
1	D-2125	"A" Frame Upright	2
2	D-50525	"A" Frame Rear Brace	2
3	D-2058	Spacer 5/8" x 7/8"	1
4	D-2078	Spacer 7/8" x 7/8"	1
5	705-C	Capscrew 7/16" x 1 1/4"	4
6	513-C	Capscrew 5/8" x 3 1/4"	1
7	716-LN	Locknut 7/16"	4
8	580-LN	Locknut 5/8"	1

**GIVE PART NUMBER AND
DESCRIPTION WHEN ORDERING**

Model LD-13

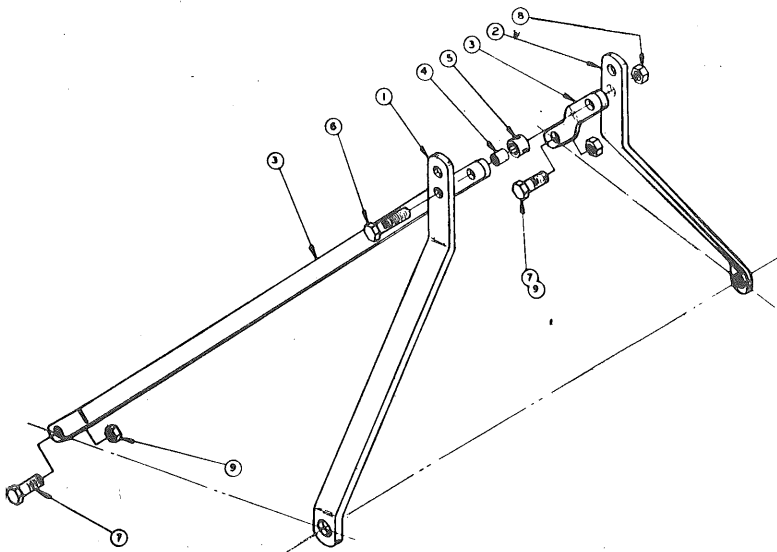


LIFT TANDEM DISC HARROW PARTS SECTION

TANDEM DISC HARROW "A" FRAME ASSEMBLY D-50753

REF. NO.	PART NO.	DESCRIPTION	NO. REQ.	SHIPPING WT.	
				LBS.	OZ.
1	D-50560R	"A" Frame Upright (Right)	1	5	4
2	D-50560L	"A" Frame Upright (Left)	1	5	4
3	D-50535	"A" Frame Rear Brace	2	7	8
4	D-2058	Spacer $\frac{5}{8}$ " x $\frac{7}{8}$ "	1		1
5	D-2078	Spacer $\frac{7}{8}$ " x $\frac{7}{8}$ "	1		2
6	AF-1026RH	Capscrew $\frac{5}{8}$ " x $3\frac{1}{4}$ "	1	*	*
7	AF-0712RH	Capscrew $\frac{7}{8}$ " x $1\frac{1}{2}$ "	2	*	*
8	KF-1000PS	Locknut $\frac{5}{8}$ " N.F.	1	*	*
9	KF-0700PS	Locknut $\frac{7}{8}$ " N.F.	2	*	*

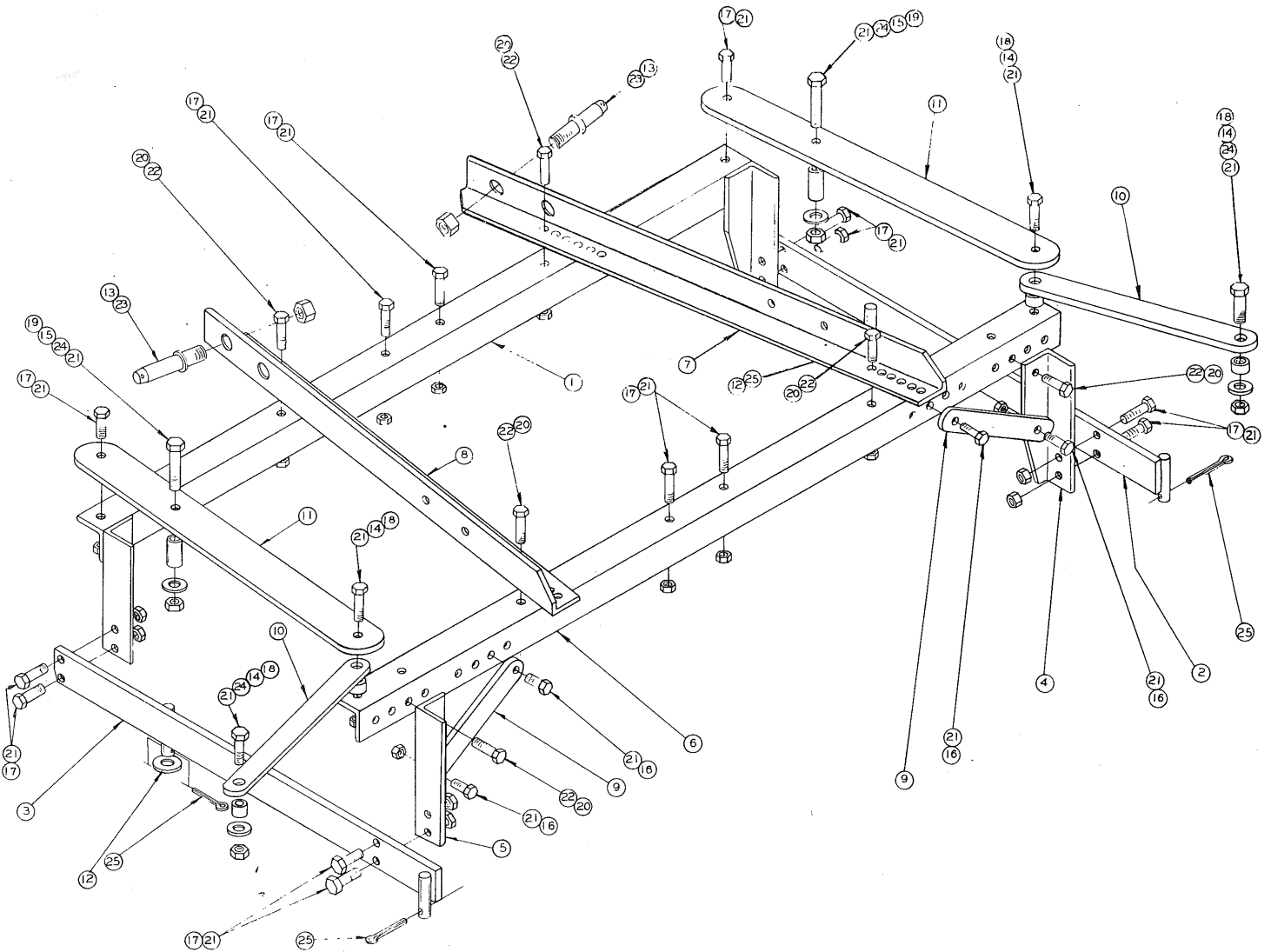
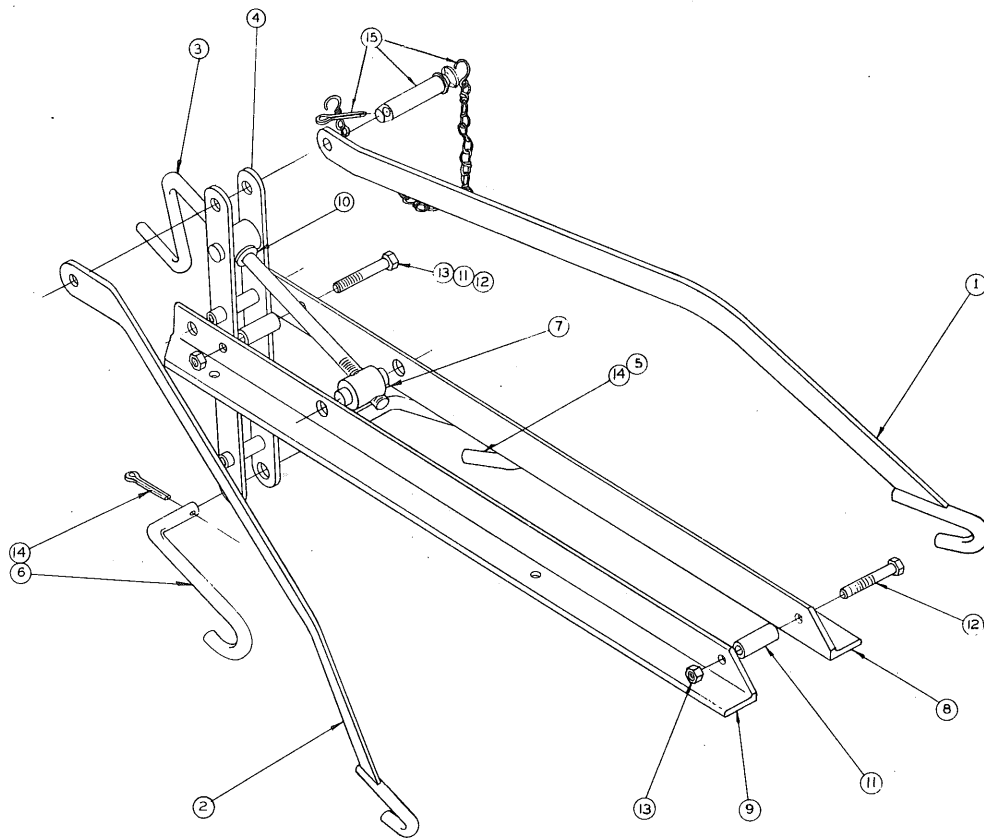
* These small parts are usually purchased locally.



LOVE LIFT TOOLS, INC.

EAU CLAIRE, MICHIGAN

PRINTED IN U.S.A.



**TANDEM DISC HARROW GANG CONTROLS
ASSEMBLY D-50854**

REF. NO.	PART NO.	DESCRIPTION	NO. REQ'D PER HARROW				SHIPPING WT.	
			5'	7'	8'	9'	LB.	OZ.
1.	D-2253 R	Rear Control (Right)	1	1	1	1	11	8
2.	D-2253 L	Rear Control (Left)	1	1	1	1	11	8
3.	D-50254	Screw Control	1	1	1	1	4	
4.	D-50354	Control Pivot	1	1	1	1	9	8
5.	D-2370 R	Front Pull Hook (Right)	1	1	1	1	2	8
6.	D-2370 L	Front Pull Hook (Left)	1	1	1	1	2	8
7.	D-50210	Trunnion Block	1	1	1	1	1	8
8.	D-50235 R	Center Angle (Right)	1	1	1	1	11	8
9.	D-50235 L	Center Angle (Left)	1	1	1	1	11	8
10.	D-1960	Washer 7/8"	1	1	1	1		1
11.	D-2336	Spacer 1/8" x 2 1/2"	2	2	2	2		2
12.	AF-0728 RH	Capscrew 7/16" NF x 3 1/2"	2	2	2	2		2
13.	KF-0700 PS	Locknut 7/16" NF	2	2	2	2		1
14.	TZ-0412 PS	Cotterkey 1/4" x 1 1/2"	1	1	1	1		2
15.	TZ-0616 PS	Cotterkey 3/8" x 2"	2	2	2	2		2
16.	D-2265 A	Clevis Pin w/Chain & Cotter	1	1	1	1		13

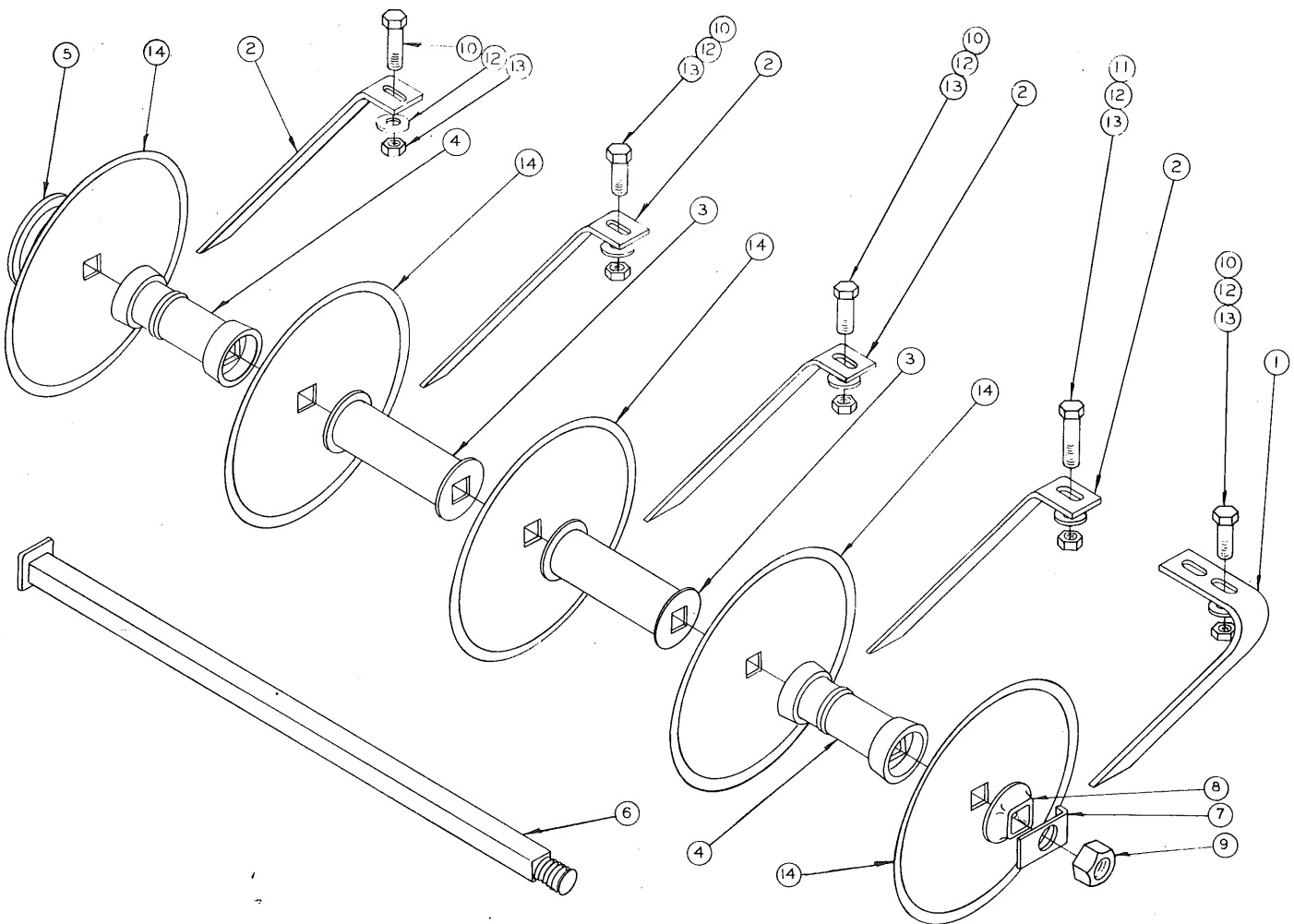
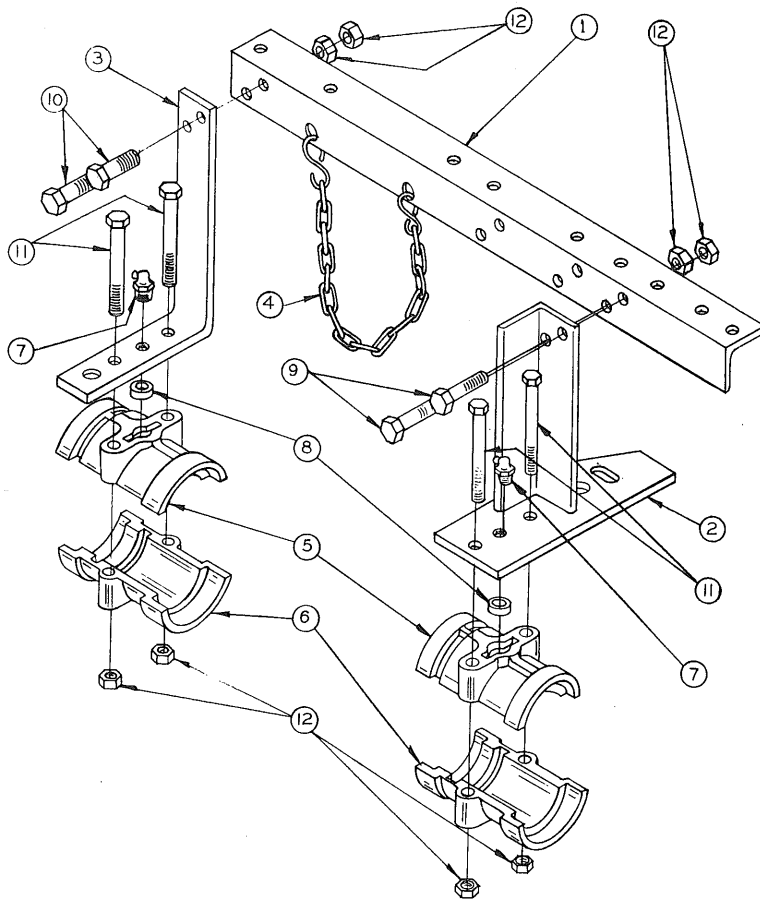
TANDEM DISC HARROW MAIN FRAME

7'—8' FRAME ASSEMBLY D-50852 (shown)

5' FRAME ASSEMBLY D-50853

REF. NO.	PART NO.	DESCRIPTION	NO. REQ'D PER HARROW				SHIPPING WT.	
			5'	7'	8'	9'	LB.	OZ.
1.	D-50850	Front Cross Angle		1	1	1	30	4
	D-50851	Front Cross Angle	1				24	12
2.	D-50351 R	Side Plate (Right)		1	1	1	14	12
	D-50452 R	Side Plate (Right)	1				16	4
3.	D-50351 L	Side Plate (Left)		1	1	1	14	12
	D-50452 L	Side Plate (Left)	1				16	4
4.	D-50140 R	Rear Frame Upright (Right)	1	1	1	1	3	4
5.	D-50140 L	Rear Frame Upright (Left)	1	1	1	1	3	4
6.	D-50490	Rear Cross Angle	1	1	1	1	21	4
7.	D-50485 R	Lift Angle (Right)	1	1	1	1	15	4
8.	D-50485 L	Lift Angle (Left)	1	1	1	1	15	4
9.	D-50300	Upright Brace	2	2	2	2	1	
10.	D-51405	Rear Stabilizer	2					13
	D-51415	Rear Stabilizer		2	2	2		11
11.	D-50080	Top Side Plate	2	2	2	2	6	8
12.	D-1960	Washer 7/8"	2	2	2	2		1
13.	D-1975	Pull Pin	2	2	2	2		12
14.	D-2366	Spacer 1/8" x 1/8"	4	4	4	4		1
15.	D-2326	Spacer 1/8" x 1 7/8"	2	2	2	2		1
16.	AF-0708 RH	Capscrew 7/16" NF x 1"	4	4	4	4	*	*
17.	AF-0710 RH	Capscrew 7/16" NF x 1 1/4"	14	14	14	14	*	*
18.	AF-0712 RH	Capscrew 7/16" NF x 1 1/2"	4	4	4	4	*	*
19.	AF-0722 RH	Capscrew 7/16" NF x 2 3/4"	2	2	2	2	*	*
20.	AF-0810 RH	Capscrew 1/2" NF x 1 1/4"	6	6	6	6	*	*
21.	KF-0700 PS	Locknut 7/16" NF	24	24	24	24	*	*
22.	KF-0800 PS	Locknut 1/2" NF	6	6	6	6	*	*
23.	KF-1400 PS	Pull Pin Nut 7/8" NF	2	2	2	2		3
24.	PZ-0700 RS	Flatwasher 1/8"	4	4	4	4		1
25.	TZ-0616 PS	Cotterkey 3/8" DIA. x 2"	4	4	4	4		1

* These small parts are usually purchased locally.



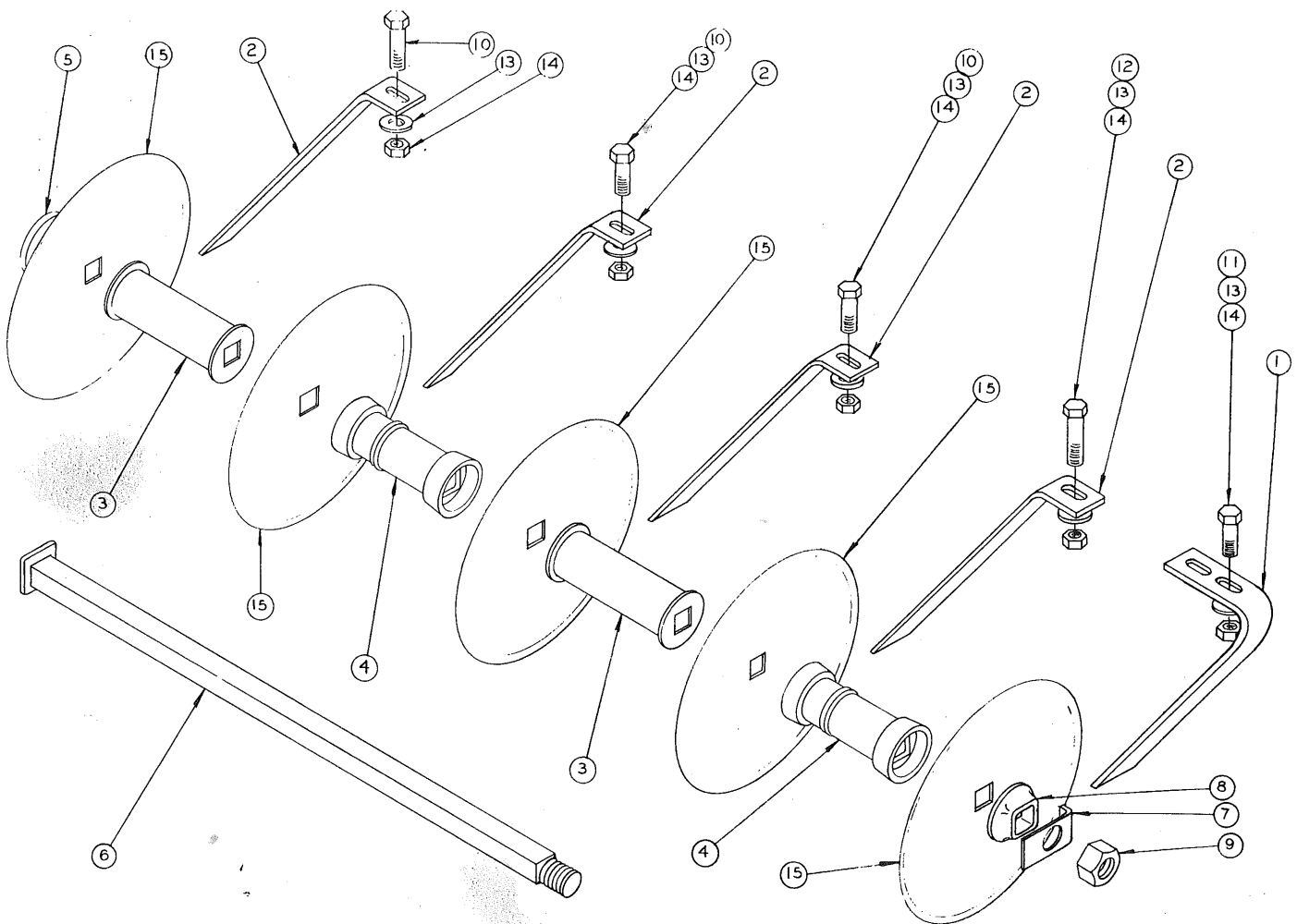
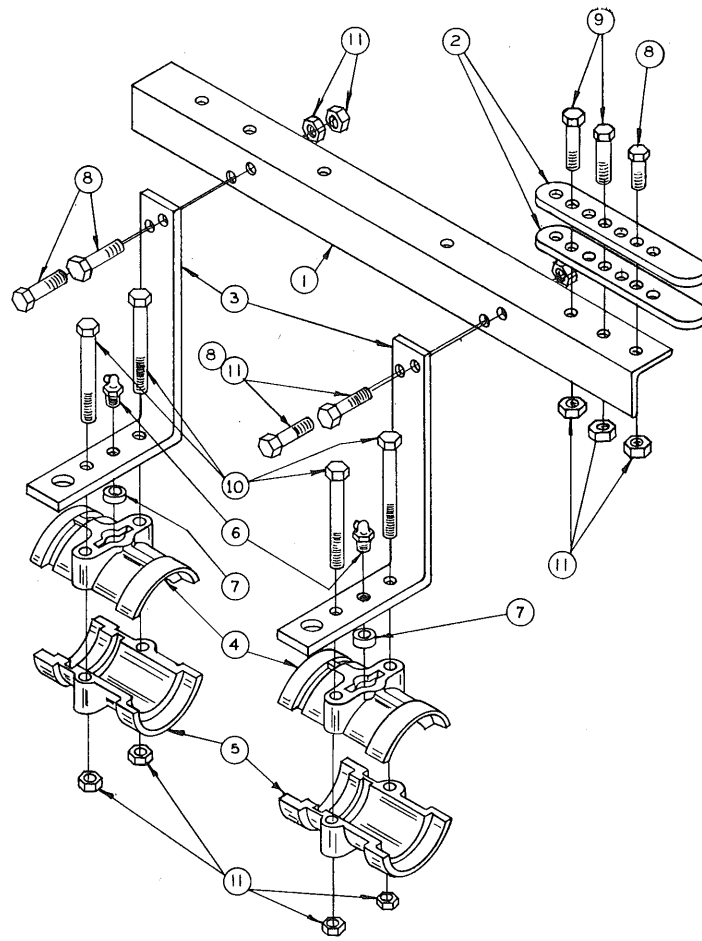
TANDEM DISC HARROW GANG FRAME

REF. NO.	PART NO.	DESCRIPTION	NO. REQ'D PER HARROW				SHIPPING WT.	
			5'	7'	8'	9'	LB.	OZ.
1	D-51180	Front Gang Top Angle (Right)	1				6	12
	D-51130	Front Gang Top Angle (Left)	1				6	12
	D-51175	Front Gang Top Angle (Right)		1			7	12
	D-51125	Front Gang Top Angle (Left)		1			7	12
	D-51575	Front Gang Top Angle (Right)			1		9	12
	D-51525	Front Gang Top Angle (Left)			1		9	12
	D-51775	Front Gang Top Angle (Right)				1	11	12
	D-51725	Front Gang Top Angle (Left)				1	11	12
	D-51155 R	Gang Upright	1	1	1	1	9	
2	D-51155 L	Gang Upright	1	1	1	1	9	
3	D-51045	Gang Upright	2	2	2	4	4	8
4	D-3652	Chain & "S" Hook	2	2	2	2		12
5	D-4070	Bearing Cap	4	4	4	6	4	8
6	D-4070 L	Bearing Cap—Lower	4	4	4	6	4	8
7	D-3575	Grease Fitting— $\frac{1}{4}$ "	4	4	4	6		1
8	D-4080	Bearing Washer (Neoprene)	4	4	4	6		1
9	AF-0708 RH	Capscrew $\frac{7}{16}$ "NF x 1"	4	4	4			1
10	AF-0710 RH	Capscrew $\frac{7}{16}$ "NF x $1\frac{1}{4}$ "	4	4	4	12		1
11	AF-0738 RH	Capscrew $\frac{7}{16}$ "NF x $4\frac{3}{4}$ "	8	8	8	12		4
12	KF-0700 PS	Locknut $\frac{7}{16}$ "NF	16	16	16	24		1

FRONT GANG ROTATING PARTS AND SCRAPER ASSEMBLY
(Blade Assembly for 7' Harrow Shown)

REF. NO.	PART NO.	DESCRIPTION	NO. REQ'D PER HARROW				SHIPPING WT.	
			5'	7'	8'	9'	LB.	OZ.
1	D-51475-R	Scraper (Right)	1	1	1	1	2	
	D-51475-L	Scraper (Left)	1	1	1	1	2	
2	D-51500-R	Scraper (Right)	3	4	5	6	1	8
	D-51500-L	Scraper (Left)	3	4	5	6	1	8
3	D-4352	Spacer Spool	2	4	6	8	2	8
4	D-4030	Bearing Spool	4	4	4	4	5	
5	D-4395	Bumper Washer	2	2	2	2	1	8
6	D-4465	Axle $1\frac{1}{8}$ " Sq.	2				9	8
	D-4466	Axle $1\frac{1}{8}$ " Sq.		2			12	
	D-4468	Axle $1\frac{1}{8}$ " Sq.			2		14	12
	D-4469	Axle $1\frac{1}{8}$ " Sq.				2		
7	D-4797	Nut Lock	2	2	2	2		1
8	D-4798	Nut End Washer	2	2	2	2	1	8
9	D-1005 NC	Axle Nut $1\frac{1}{8}$ " N. C.	2	2	2	2		8
10	AF-0708 RH	Capscrew $\frac{7}{16}$ " x 1"	6	8	10	12	*	*
11	AF-0710 RH	Capscrew $\frac{7}{16}$ " x $1\frac{1}{4}$ "	2	2	2	2	*	*
12	PZ-0700 RS	Flat Washer $\frac{7}{16}$ "	8	10	12	14	*	*
13	KF-0700 PS	Locknut $\frac{7}{16}$ " N. F.	8	10	12	14	*	*
14	D-4612 D	Disc Blade 16" Reg.	8	10	12	14	6	8
	D-4612 DC	Disc Blade 16" C. O.					5	12
	D-4811 D	Disc Blade 18" Reg.					9	14
	D-4811 DC	Disc Blade 18" C. O.					7	12

* These small parts are usually purchased locally.



TANDEM DISC HARROW GANG FRAME

REF. NO.	PART NO.	DESCRIPTION	NO. REQ'D PER HARROW				SHIPPING WT.	
			5'	7'	8'	9'	LBS.	OZ.
1	D-51110	Rear Gang Top Angle (Right)	1				6	12
	D-51080	Rear Gang Top Angle (Left)	1				6	12
	D-51100	Rear Gang Top Angle (Right)		1			7	12
	D-51075	Rear Gang Top Angle (Left)		1			7	12
	D-51675	Rear Gang Top Angle (Right)			1		9	12
	D-51625	Rear Gang Top Angle (Left)			1		9	12
	D-51875	Rear Gang Top Angle (Right)				1	11	12
	D-51825	Rear Gang Top Angle (Left)				1	11	12
2	D-51340	Depth Pad	4	4	4	4	1	12
3	D-51045	Gang Upright	4	4	4	4	4	8
4	D-4070	Bearing Cap	4	4	4	4	4	8
5	D-4070 L	Bearing Cap—Lower	4	4	4	4	4	8
6	D-3575	Grease Fitting ¼"	4	4	4	4		1
7	D-4080	Bearing Washer (Neoprene)	4	4	4	4		1
8	AF-0710 RH	Capscrew 7/16" NF x 1¼"	10	10	10	14		1
9	AF-0714 RH	Capscrew 7/16" NF x 1¾"	4	4	4	4		2
10	AF-0738 RH	Capscrew 7/16" NF x 4¾"	8	8	8	12		4
11	KF-0700 PS	Locknut 7/16" NF	22	22	22	30		1

REAR GANG ROTATING PARTS AND SCRAPER ASSEMBLY (Blade Assembly for 7' Harrow Shown)

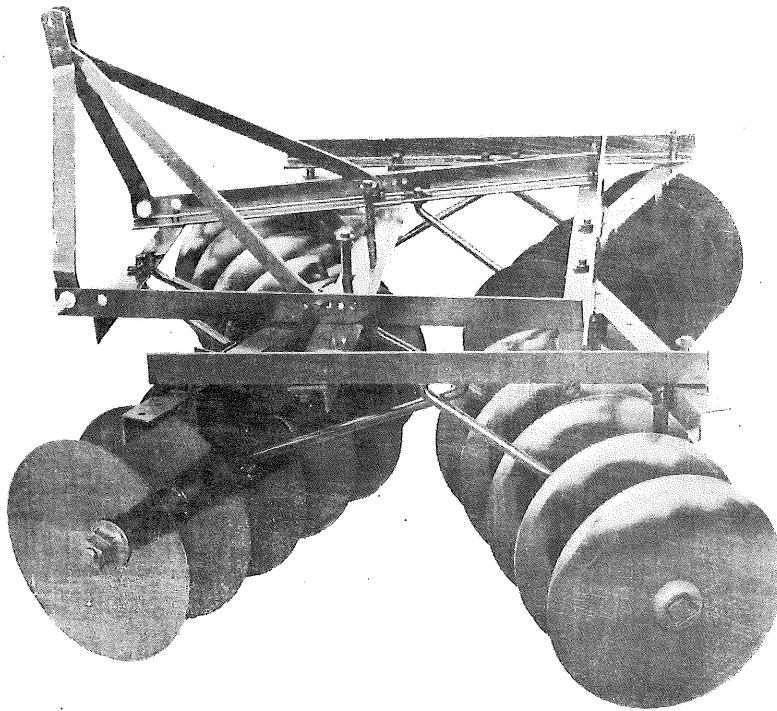
REF. NO.	PART NO.	DESCRIPTION	NO. REQ'D PER HARROW				SHIPPING WT.	
			5'	7'	8'	9'	LB.	OZ.
1	D-51475 R	Scraper (Right)	1	1	1	1	2	
	D-51475 L	Scraper (Left)	1	1	1	1	2	
2	D-51500 R	Scraper (Right)	3	4	5	6	1	8
	D-51500 L	Scraper (Left)	3	4	5	6		
3	D-4352	Spacer Spool	2	4	6	8	2	8
4	D-4030	Bearing Spool	4	4	4	4	5	
5	D-51320	Outer End Washer	2	2	2	2	1	4
6	D-4465	Axle 1/8" Sq.	2				9	8
	D-4466	Axle 1/8" Sq.		2			12	
	D-4468	Axle 1/8" Sq.			2		14	12
	D-4469	Axle 1/8" Sq.				2	17	4
7	D-4797	Nut Lock	2	2	2	2		1
8	D-4798	Nut End Washer	2	2	2	2	1	8
9	D-1005 NC	Axle Nut 1/8" N.C.	2	2	2	2		8
10	AF-0708 RH	Capscrew 7/16" x 1"	4	6	8	10	*	*
11	AF-0714 RH	Capscrew 7/16" x 1¾"	2	2	2	2	*	*
12	AF-0716 RH	Capscrew 7/16" x 2"	2	2	2	2	*	*
13	PZ-0700 RS	Flat Washer 7/16"	8	10	12	14	*	*
14	KF-0700 PS	Locknut 7/16" N.F.	8	10	12	14	*	*
15	D-4612 D	Disc Blade 16" Reg.	8	10	12	14	6	8
	D-4612 DC	Disc Blade 16" C.O.						
	D-4811 D	Disc Blade 18" Reg.						
	D-4811 DC	Disc Blade 18" C.O.						

* These small parts are usually purchased locally.

ASSEMBLY AND OPERATING INSTRUCTIONS
WITH PARTS LIST FOR THE

LOVE LIFT TOOLS

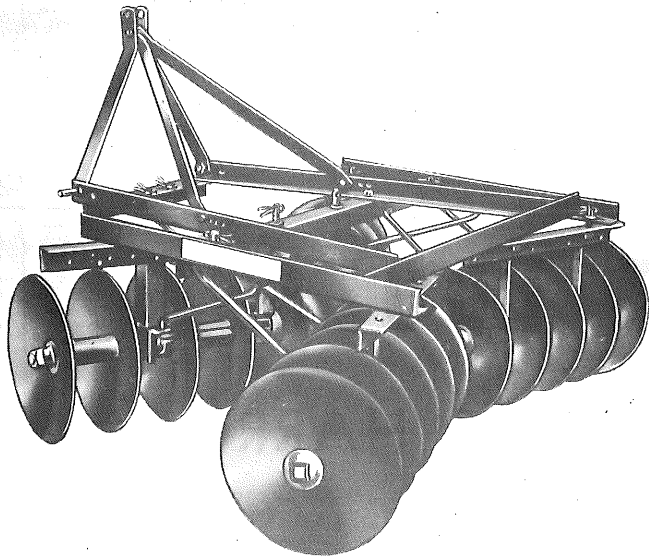
"Fourdisc" TANDEM DISC HARROW
MODEL 4-DC



LOVE LIFT TOOLS, INC.
EAU CLAIRE, MICHIGAN

Printed in U. S. A.

ASSEMBLY AND OPERATING INSTRUCTIONS



INTRODUCTION

Before starting the assembly of your **Lift Tools** Lift Disc Harrow it would be an excellent idea to read the instructions over carefully to familiarize yourself with the procedures outlined.

In most cases the Harrow's Main Frame will be shipped with the "A" Frame bolted in place. If the "A" Frame is received not bolted to the Main Frame, save its mounting operation for the last step. (You will note the photos show the "A" Frame mounted in its 1st assembly operation, disregard this and follow the procedures outlined.)

Your Lift Disc Harrow will be shipped in 6 pieces, 4-gangs, Main Frame, Bundle of Rods with Cotterkeys, and "A" Frame attached or not attached to the Main Frame. Spread out the Disc Gangs in the relative position they will go beneath the Main Frame.

1st Step

Remove Bolts, Washers and Spacers from the Top Angle of the Right Front Gang. Place Gang beneath Main Frame as shown in Fig.1, replace Bolts, Washers and Spacers in same holes after passing through the slotted holes of the Main Frame. Tighten Bolts.

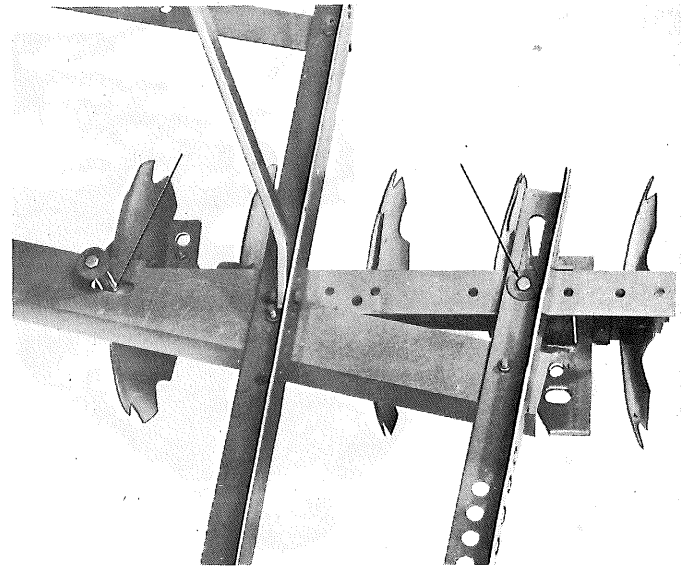


FIG. 1

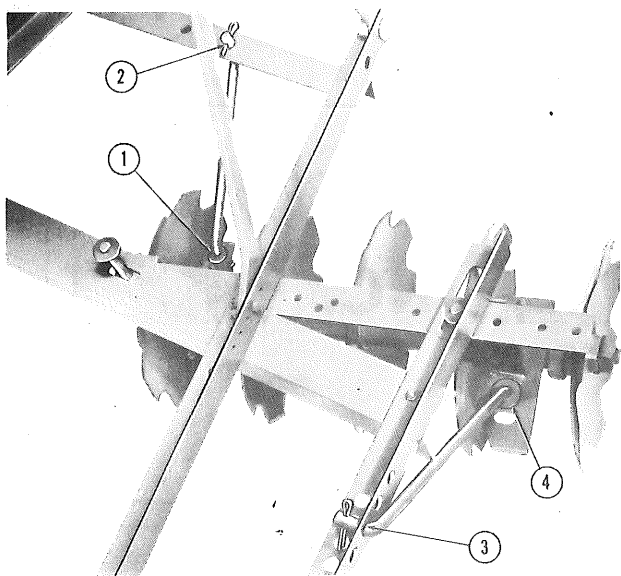
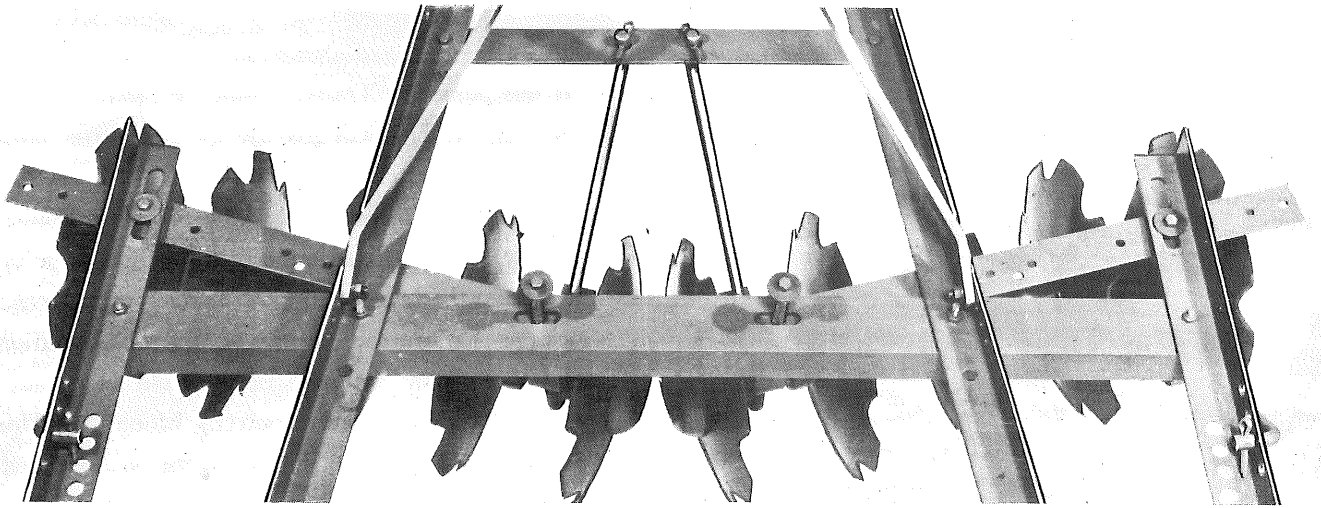


FIG. 2

2nd Step

Take one of the short rods which is called a Pull Rod and place in holes at points (1) and (2) in Fig. 2. Be sure the end with the small welded washer goes to point (1). Place Cotterkeys in holes provided. Now take the Right Push Rod (which is longer) and place in holes (3) and (4). Cotterkey these holes also. In setting up the Harrow don't bend over the Cotterkeys until the complete assembly is made, at that time any desired cutting set can be made.



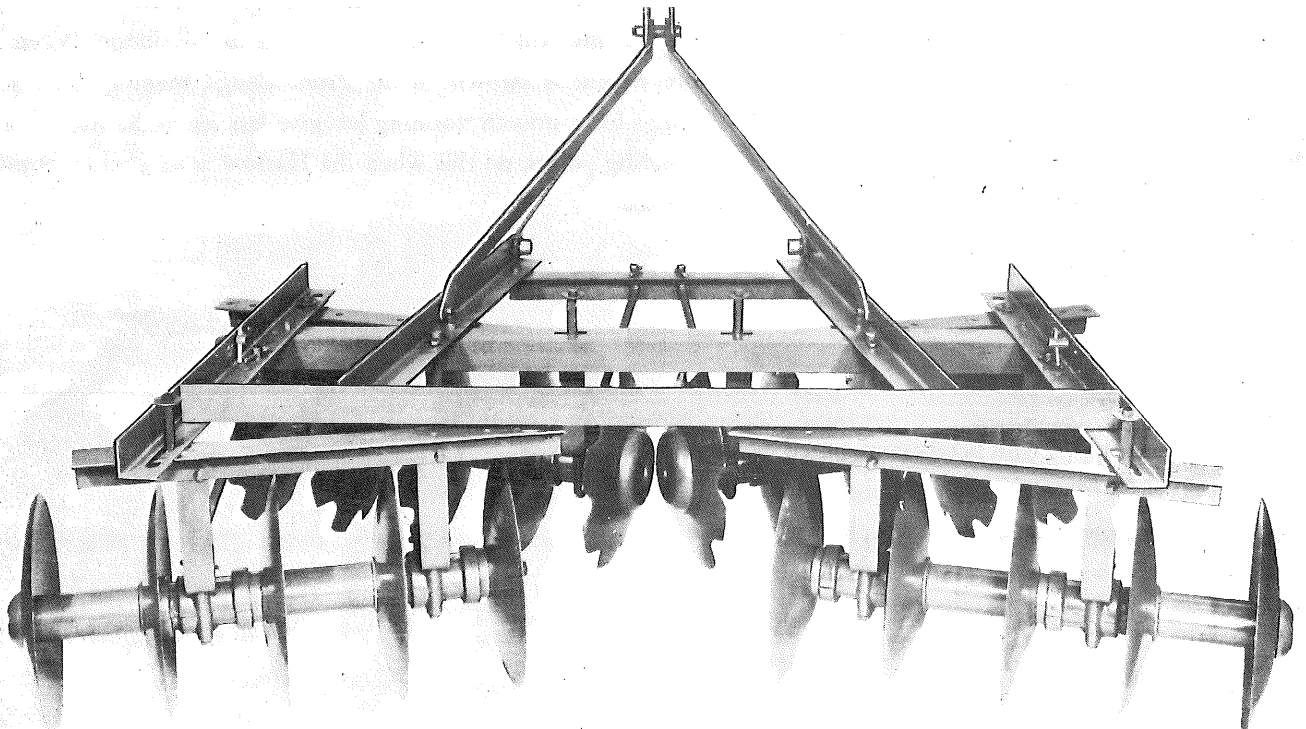
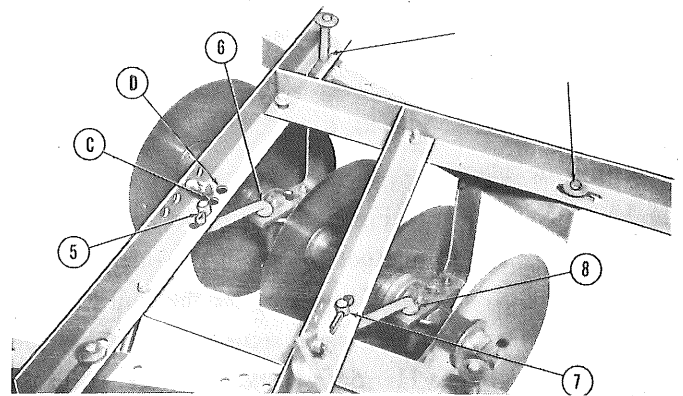
3rd Step

FIG. 3

Complete the same steps outlined in Step (1) and (2) to the left side of the Harrow as shown in Fig. 3.

4th Step

After removing the Bolts, Washers and Spacers from the Right Rear Gang Top Angle, place beneath the Main Frame as shown in Fig. 4, replace Bolts, Washers and Spacers in same holes after passing through the slotted holes of the Main Frame. Tighten Bolts. Place Pull Rods in holes at points (5) (6) (7) and (8). (The end with the small welded washer always goes in the Bearing Upright Holes.) Insert Cotterkeys.



5th Step

FIG. 5

Follow the same procedure outlined in Step 4 to the Left Rear Gang Assembly as shown in Fig. 5. This completes the mounting of the Gangs.

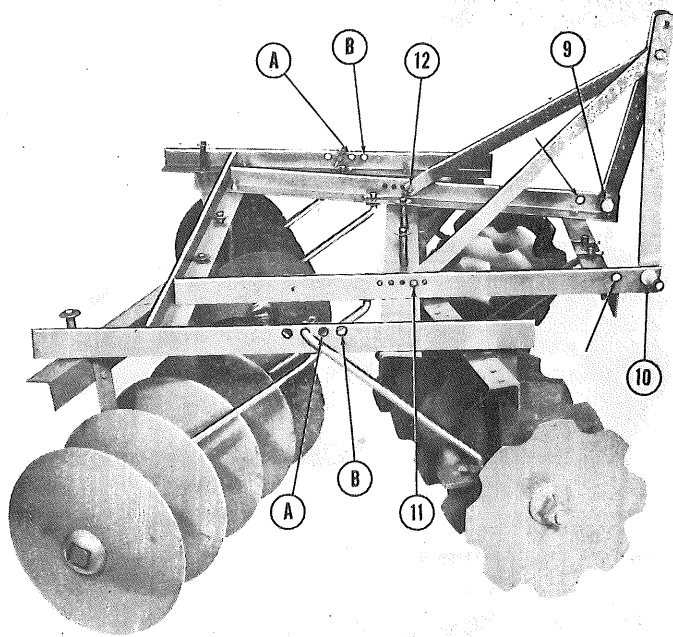


FIG. 6

Adjusting the Harrow

The Harrow as shown in Fig. 6 was set up in a medium Cutting Position. To increase the Cutting Angle of the Front Gangs advance the Push Rods to one of the other positions at Point (A) or (B) as shown in Fig. 6. To increase the Cutting Angle to the Rear Gangs advance the Pull Rods as shown in Fig. 4 to positions (C) or (D). After the desired cutting adjustment has been made, secure all Cotterkeys and tighten all Bolts.

The Lift Tandem Disc Harrow will do a perfect job of discing if properly set up and adjusted. The Harrow must be adjusted to each Tractor on which the Harrow is to be used. After the assembly is completed place Harrow and Tractor on a level area, lower the Harrow so that all blades of the Front Gang set squarely on a full one-inch thick board. Adjust the Centerlink so that the Rear Gangs are touching the ground, this will give even penetration to all Gangs. When the Rear Gangs are lifted by shortening the Centerlink, more weight is thrown on the Front Gangs, making them penetrate deeper into tough sod or hard ground. When adjusting for a smooth finishing job give less set to the Rear Gangs. Before placing the Harrow in operation grease well at all bearing points, do this when the Harrow is in a raised position. Check all Bolts for tightness, especially the large Axle-End Nuts.

Mounting the Scrapers

Disc Gangs are not shipped with Scrapers mounted even when requested with order. The Scrapers and Bolts will be shipped in a complete bundle. It is a simple matter to mount the Scrapers to the Disc Gang Top Angles as shown in Fig. 7. The rounded formed Scrapers are for the outside blades.

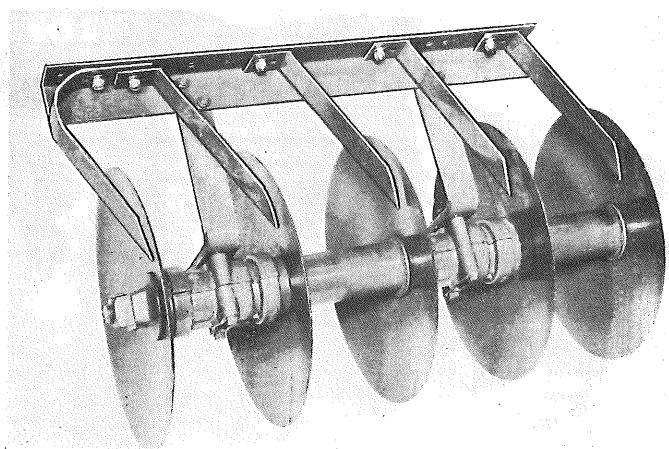
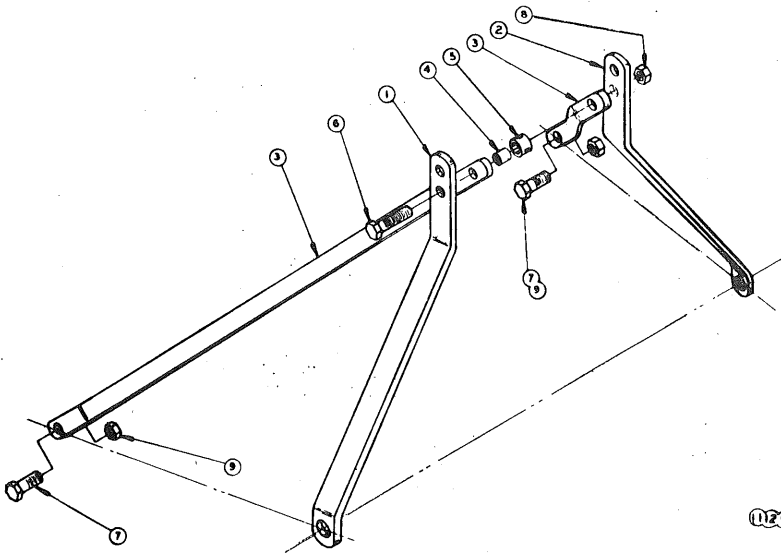


FIG. 7

6th Step

At this point the Tractor should be placed in front of the Harrow. This will give the operator a true setting of the "A" Frame, Fig. 6. You will note there are two sets of large holes in the front end of the Main Frame Lift Angles, the Pull Pins should be placed in the holes that will place the Harrow as close to the Tractor wheels as possible. (When the Harrow is in a raised position the clearance from the rear tires should be about two inches for correct draft control.) Mount the Upright Bars of the "A" Frame in back of the holes selected and mount with the Pull Pins at points (9) and (10). Bolt the "A" Frame Rear Braces to the Main Frame Lift Angles at points (11) and (12). If the Pull Pin Rear Holes are used on the Main Frame Lift Angles select the holes behind points (11) and (12).

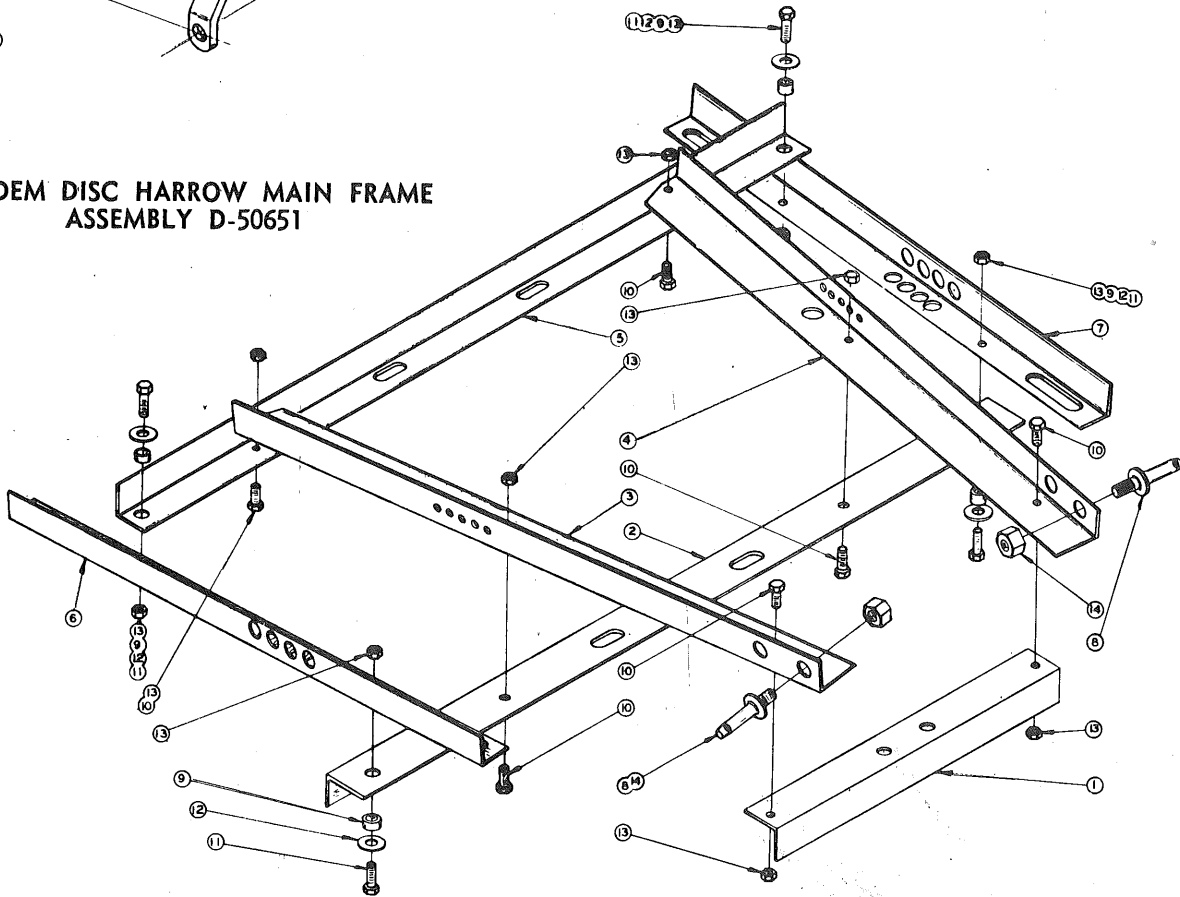
TANDEM DISC HARROW "A" FRAME
ASSEMBLY D-50753



REF. NO.	PART NO.	DESCRIPTION	NO. REQ	SHIPPING WT	
				LBS.	OZ.
1	D-50560R	"A" Frame Upright (Right)	1	5	4
2	D-50560L	"A" Frame Upright (Left)	1	5	4
3	D-50535	"A" Frame Rear Brace	2	7	8
4	D-2058	Spacer $\frac{5}{8}$ " x $\frac{7}{8}$ "	1		1
5	D-2078	Spacer $\frac{7}{8}$ " x $\frac{7}{8}$ "	1		2
6	AF-1026RH	Capscrew $\frac{5}{8}$ " x $3\frac{1}{4}$ "	1	*	*
7	AF-0712RH	Capscrew $\frac{7}{16}$ " x $1\frac{1}{2}$ "	2	*	*
8	KF-1000PS	Locknut $\frac{5}{8}$ " N.F.	1	*	*
9	KF-0700PS	Locknut $\frac{7}{16}$ " N.F.	2	*	*

* These small parts are usually purchased locally.

TANDEM DISC HARROW MAIN FRAME
ASSEMBLY D-50651



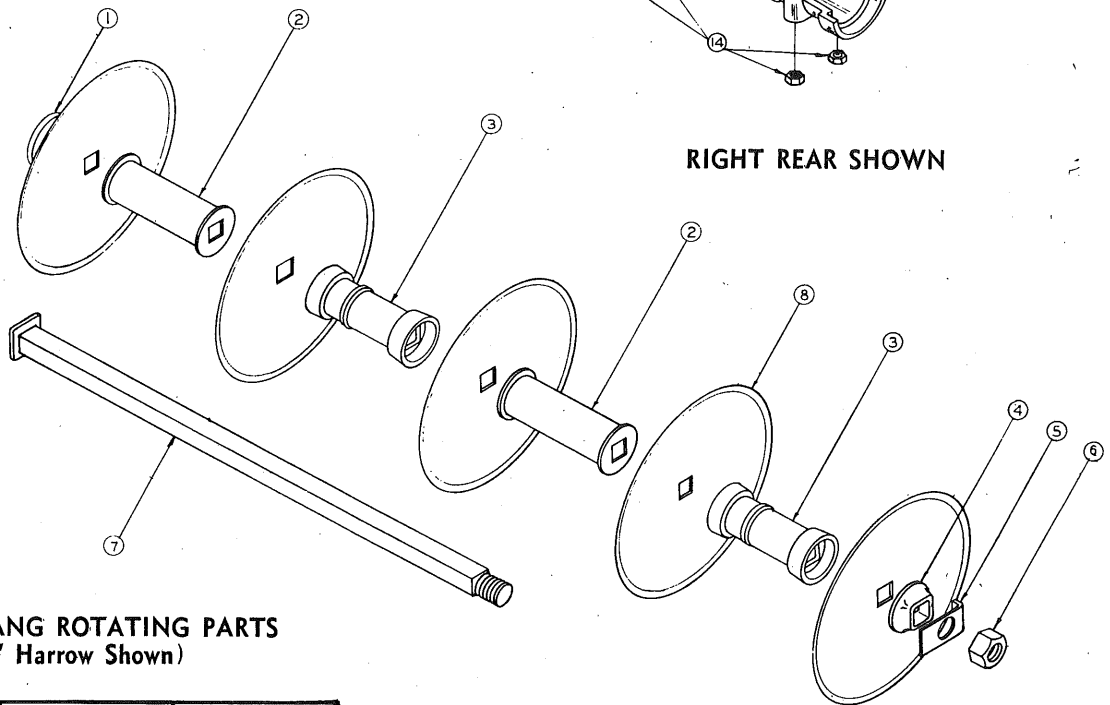
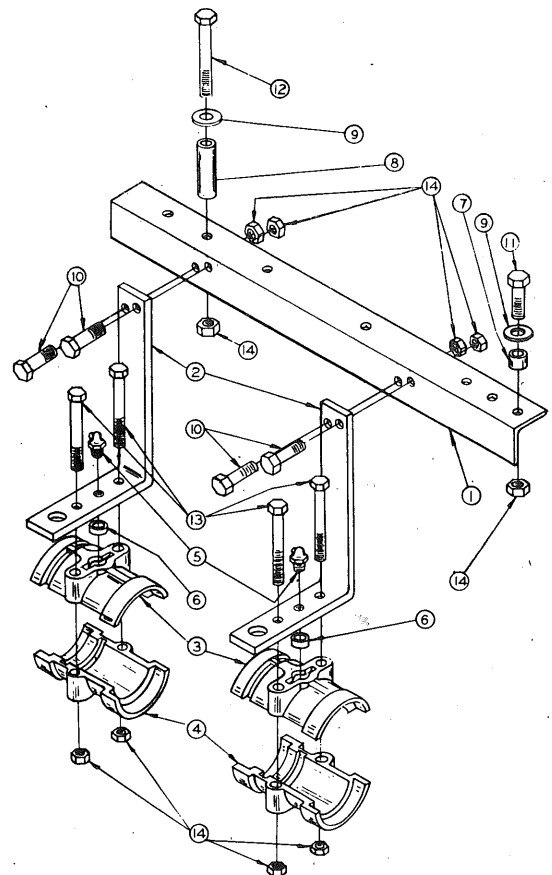
REF. NO.	PART NO.	DESCRIPTION	NO. REQD	SHIPPING WT	
				LBS.	OZ.
1	D-50725	Front Brace Angle	1	8	4
2	D-60100	Front Frame Angle	1	24	6
3	D-60110R	Lift Angle (Right)	1	14	11
4	D-60110L	Lift Angle (Left)	1	14	11
5	D-60105	Rear Frame Angle	1	19	4
6	D-60115R	Side Angle (Right)	1	12	8
7	D-60115L	Side Angle (Left)	1	12	8
8	D-1975	Pull Pin	2	1	
9	D-2366	Spacer $\frac{7}{16}$ " x $\frac{7}{16}$ "	4		1
10	AF-0708 RH	Capscrew $\frac{7}{16}$ " x 1"	6	*	*
11	AF-0712 RH	Capscrew $\frac{7}{16}$ " x $1\frac{1}{2}$ "	4	*	*
12	PZ-0700 RS	Washer $\frac{7}{16}$ " x $1\frac{1}{8}$ "	4		1
13	KF-0700 PS	Locknut $\frac{7}{16}$ " N.F.	10	*	*
14	KF-1400 PS	Pull Pin Nut $\frac{3}{8}$ " N.F.	2		2

* These small parts are usually purchased locally.

TANDEM DISC HARROW GANG FRAME
(For 5'—6'—8' Harrows)

REF. NO.	PART NO.	DESCRIPTION	NO. REQ'D. PER HARROW			SHIPPING WT.	
			5'	6'	8'	LBS.	OZ.
1	D-51110	Rear Gang Top Angle (Right)	1			7	12
	D-51080	Rear Gang Top Angle (Left)	1			7	12
	D-51100	Rear Gang Top Angle (Right)		1		7	12
	D-51075	Rear Gang Top Angle (Left)		1		7	12
	D-51675	Rear Gang Top Angle (Right)			1	9	12
	D-51625	Rear Gang Top Angle (Left)			1	9	12
2	D-51045	Gang Upright	4	4	4	4	8
3	D-4070	Bearing Cap	4	4	4	4	8
4	D-4070L	Bearing Cap—Lower	4	4	4	4	8
5	D-3575	Grease Fitting 1/4"	4	4	4	4	1
6	D-4080	Bearing Washer (Neoprene)	4	4	4	4	1
7	D-2346	Spacer 7/16" x 7/8"	2	2	2	2	1
8	D-3976	Spacer 7/16" x 3 5/16"	2	2	2	2	3
9	PZ-0700RS	Washer 15/32" I.D. x 1 3/4" O.D.	4	4	4		1
10	AF-0710RH	Capscrew 7/16"-20 x 1 1/4"	8	8	8	*	*
11	AF-0714RH	Capscrew 7/16"-20 x 1 3/4"	2	2	2	*	*
12	AF-0734RH	Capscrew 7/16"-20 x 4 1/4"	2	2	2	*	*
13	AF-0738RH	Capscrew 7/16"-20 x 4 3/4"	8	8	8	*	*
14	KF-0700PS	Locknut 7/16"-20 Plated	20	20	20	*	*

* These small parts are usually purchased locally.



TANDEM DISC HARROW GANG ROTATING PARTS
(Blade Assembly for 6' Harrow Shown)

REF. NO.	PART NO.	DESCRIPTION	NO. REQ'D. PER HARROW			SHIPPING WT.	
			5'	6'	8'	LBS.	OZ.
1	D-51320	Outer End Washer	2	2	2	1	4
2	D-4352	Spacer Spool	2	4	6	2	8
3	D-4030	Bearing Spool	4	4	4	5	
4	D-4798	Nut End Washer	2	2	2	1	8
5	D-4797	Nut Lock	2	2	2		1
6	NC 1800PS	Axle Nut 1 1/8" NC	2	2	2		8
7	D-4465	Axle 1 1/8" Sq.	2			9	8
	D-4466	Axle 1 1/8" Sq.		2		12	
	D-4468	Axle 1 1/8" Sq.			2	14	12
8	D-4612D	Disc Blade 16" Reg.	8	10	12	6	8
	D-4612DC	Disc Blade 16" C.O.				5	12
	D-4811D	Disc Blade 18" Reg.				9	14
	D-4811DC	Disc Blade 18" C.O.				7	12

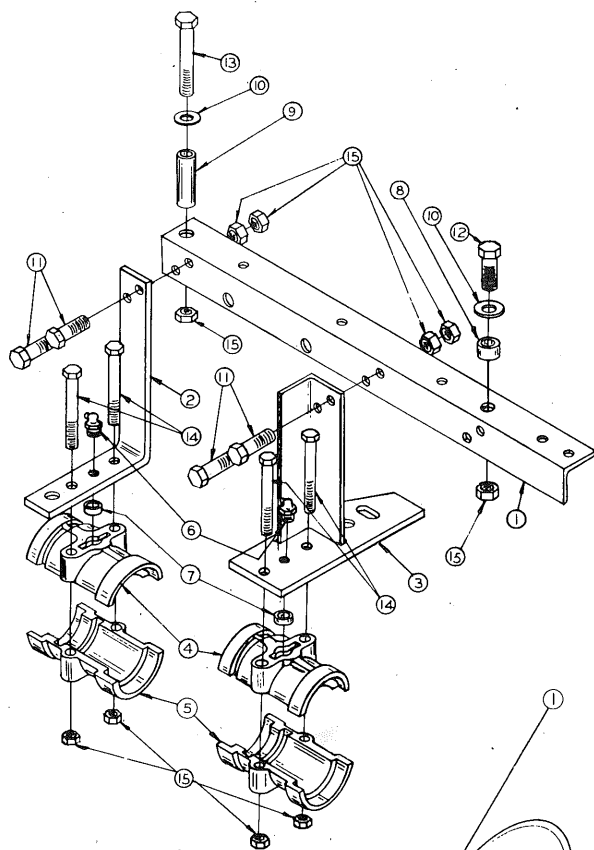
* These small parts are usually purchased locally.

When complete Gang Frame and Rotating Parts are needed use the following assembly numbers:

	5'	6'	8'
Right Front Gang	D-61820	D-61852	D-61880
Left Front Gang	D-61800	D-61840	D-61860
Right Rear Gang	D-61920	D-61952	D-61980
Left Rear Gang	D-61900	D-61940	D-61960

Specify blade size when ordering.

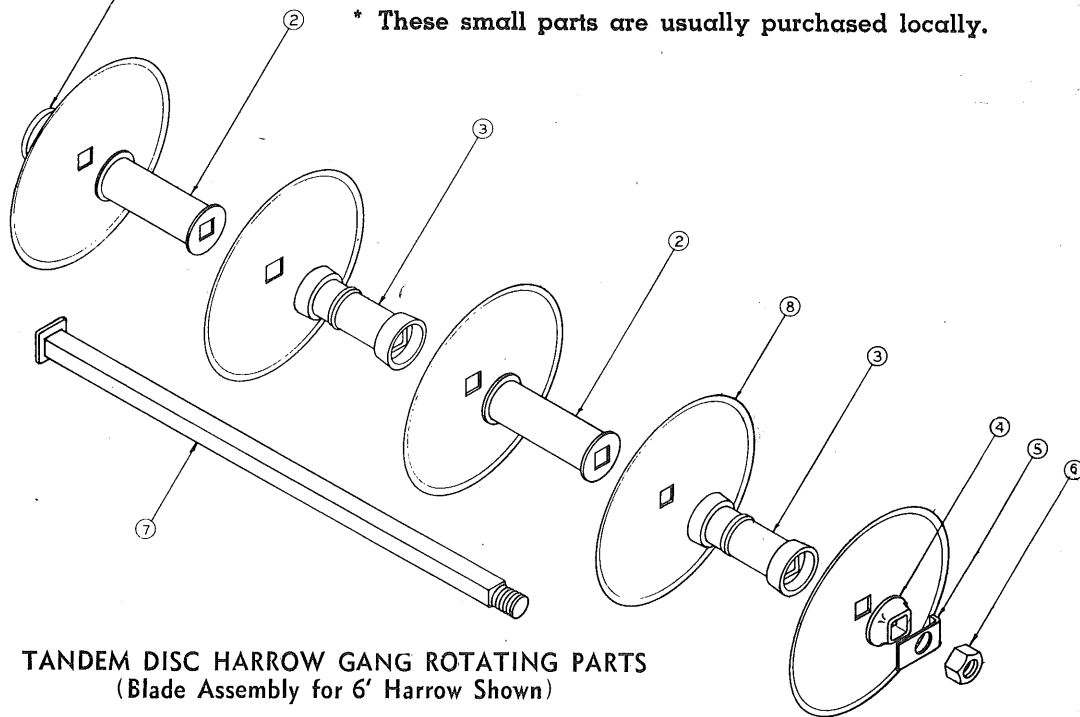
TANDEM DISC HARROW GANG FRAME
(For 5'-6'-8' Harrows)



LEFT FRONT SHOWN

REF. NO.	PART NO.	DESCRIPTION	NO. REQ'D. PER HARROW			SHIPPING WT.	
			5'	6'	8'	LBS.	OZ.
1	D-51175	Front Gang Top Angle (Front)	1	1		7	12
	D-51125	Front Gang Top Angle (Left)	1	1		7	12
	D-51575	Front Gang Top Angle (Right)			1	9	12
	D-51525	Front Gang Top Angle (Left)		1		9	12
2	D-51045	Gang Upright	2	2	2	4	8
3	D-51155R	Gang Upright (Right)	1	1	1	4	8
	D-51155L	Gang Upright (Left)	1	1	1	4	8
4	D-4070	Bearing Cap	4	4	4	4	8
5	D-4070L	Bearing Cap—Lower	4	4	4	4	8
6	D-3575	Grease Fitting 1/4"	4	4	4		1
7	D-4080	Bearing Washer (Neoprene)	4	4	4		1
8	D-2346	Spacer 7/16" x 7/8"	2	2	2		1
9	D-3976	Spacer 7/16" x 3 5/16"	2	2	2		3
10	PZ-0700RS	Washer 15/32" I.D. x 1 3/4" O.D.	4	4	4		1
11	AF-0710RH	Capscrew 7/16"-20 x 1 1/4"	8	8	8	*	*
12	AF-0714RH	Capscrew 7/16"-20 x 1 3/4"	2	2	2	*	*
13	AF-0734RH	Capscrew 7/16"-20 x 4 1/4"	2	2	2	*	*
14	AF-0738RH	Capscrew 7/16"-20 x 4 3/4"	8	8	8	*	*
15	KF-0700PS	Locknut 7/16"-20 Plated	20	20	20	*	*

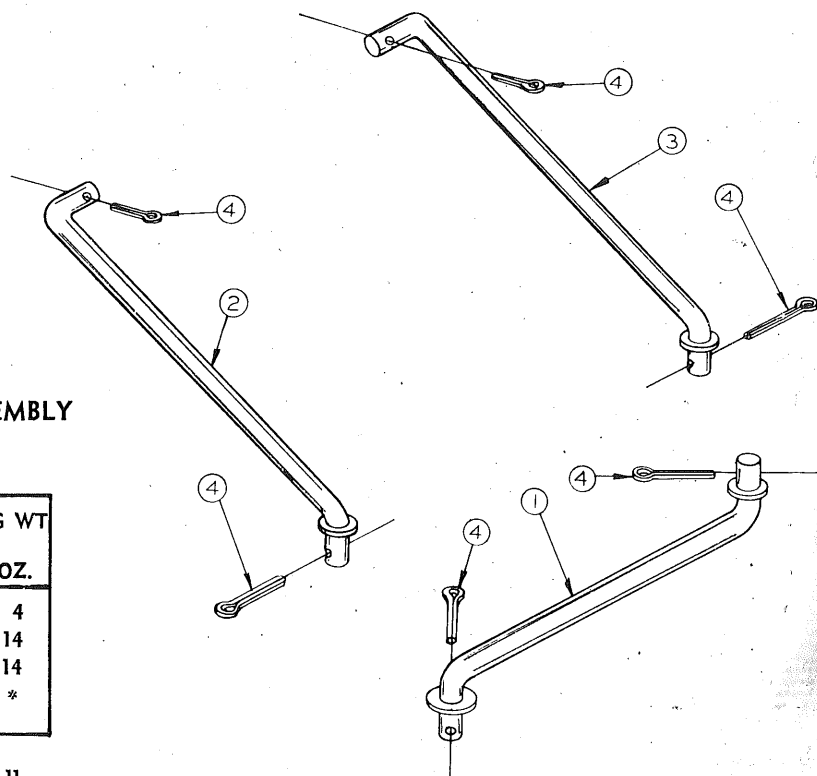
* These small parts are usually purchased locally.



TANDEM DISC HARROW GANG ROTATING PARTS
(Blade Assembly for 6' Harrow Shown)

REF. NO.	PART NO.	DESCRIPTION	NO. REQ'D. PER HARROW			SHIPPING WT.	
			5'	6'	8'	LBS.	OZ.
1	D-4395	Bumper Washer	2	2	2	1	8
2	D-4352	Spacer Spool	2	4	6	2	8
3	D-4030	Bearing Spool	4	4	4	5	
4	D-4798	Nut End Washer	2	2	2	1	8
5	D-4797	Nut Lock	2	2	2		1
6	NC 1800PS	Axle Nut 1 1/8" NC	2	2	2		8
7	D-4466	Axle 1 1/8" Sq.	2	2		12	
	D-4468	Axle 1 1/8" Sq.			2	14	12
8	D-4612D	Disc Blade 16" Reg.	8	10	12	6	8
	D-4612DC	Disc Blade 16" C.O.				5	12
	D-4811D	Disc Blade 18" Reg.				9	14
	D-4811DC	Disc Blade 18" C.O.				7	12

* These small parts are usually purchased locally.



TANDEM DISC HARROW PULL AND PUSH ROD ASSEMBLY

REF. NO.	PART NO.	DESCRIPTION	NO. REQ'D. PER HARROW			SHIPPING WT	
			5'	6'	8'	LBS.	OZ.
1	D-61654	Pull Rod	6	6	6	2	4
2	D-61655R	Push Rod	1	1	1	2	14
3	D-61655L	Push Rod	1	1	1	2	14
4	TZ-0616PS	Cotter Pin $\frac{3}{8}$ " x 2"	16	16	16	*	*

* These small parts are usually purchased locally.

TANDEM DISC HARROW SCRAPER ASSEMBLY

REF. NO.	PART NO.	DESCRIPTION	NO. REQ'D. PER HARROW			SHIPPING WT	
			5'	6'	8'	LBS.	OZ.
1	D-51475 R	Scraper (Right)	2	2	2	2	
2	D-51475 L	Scraper (Left)	2	2	2	2	
3	D-51500 R	Scraper (Right)	6	8	10	1	8
4	D-51500 L	Scraper (Left)	6	8	10	1	8
5	AF-0710 RH	Capscrew $\frac{7}{16}$ "NF x $1\frac{1}{4}$ "	12	16	20	*	*
6	AF-0712 RH	Capscrew $\frac{7}{16}$ "NF x $1\frac{1}{2}$ "	4	4	4	*	*
7	KF-0700 PS	Locknut $\frac{7}{16}$ "NF	16	20	24	*	*
8	PZ-0700 RS	Flat Washer $\frac{7}{16}$ "	16	20	24	*	*

* These small parts are usually purchased locally.

